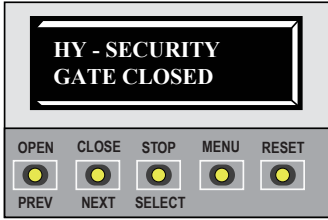


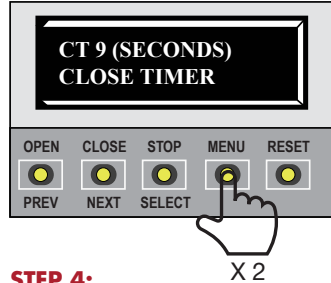
## HYSECURITY® SMART DC CONTROLLER - UL 325

To access the installer menu and configure sensor inputs, take the following steps:

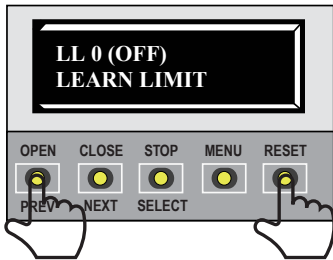
**STEP 1:**  
Start at the main menu screen



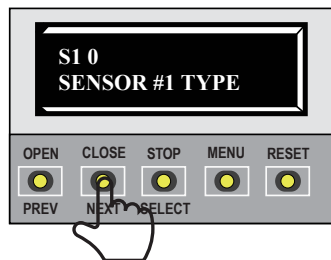
**STEP 2:**  
Press 'Menu' twice



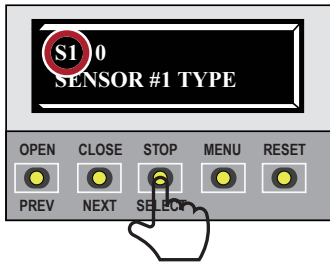
**STEP 3:**  
Press the 'Open' and 'Reset' buttons at the same time



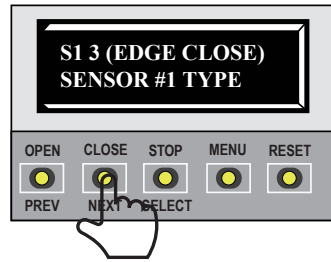
**STEP 4:**  
Use 'Next' to navigate to the desired Sensor



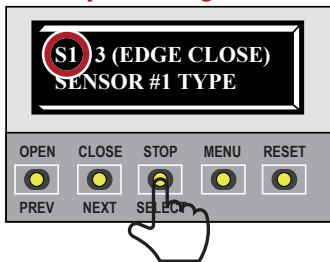
**STEP 5:**  
Press 'Select' to configure the appropriate Sensor - S1 flashes



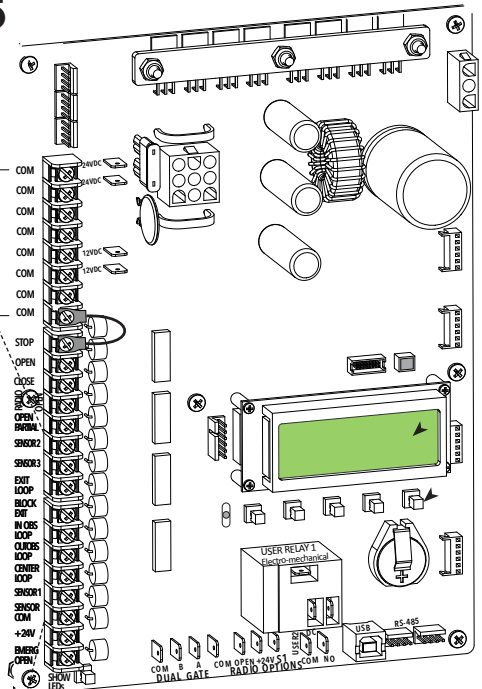
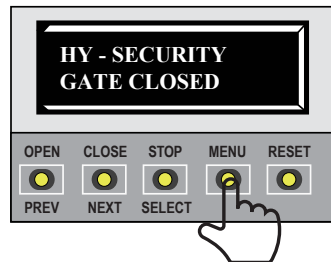
**STEP 6:** Press 'Next' to navigate through the Sensor type options:



**STEP 7:**  
When the desired sensor type is shown on the screen press 'Select' - S1 stops flashing



**STEP 8:**  
Press 'Menu' twice to exit the installer menu



Smart DC Controller

Post 2016 Label  
Build Year (BY 2)  
MX3978-01  
Temporary use on existing inventory.

Pre-2016  
Build Year (BY 1)  
MX3978-02  
Used on replacement boards for gate operators manufactured prior to 2016.

**Sensor type options (slide gate):**

'NOT USED' → 'EYE OPEN' → 'EDGE OPEN' →  
'EYE CLOSE' → 'EDGE CLOSE' → 'EYE BOTH'

**Sensor type options (swing gate):**

'NOT USED' → 'EYE OPEN' → 'EDGE OPEN' →  
'EYE CLOSE' → 'EDGE CLOSE' → 'EDGE BOTH'

**NOTE:** If a sensor input is intended not to be used, it will need to be configured to 'Not Used' on the appropriate sensor # within the installer menu.

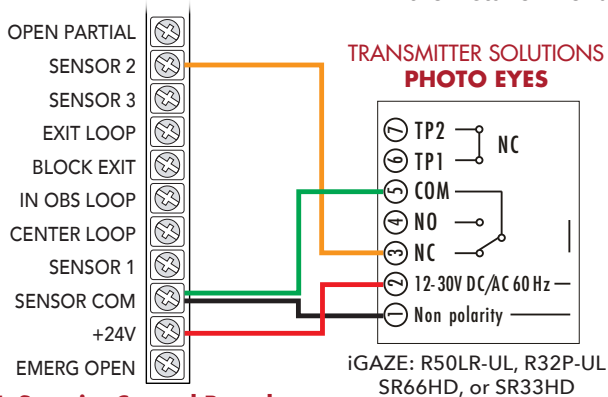
### Menu Mode Navigational Tips

The buttons on the display keypad perform certain functions while in Menu Mode. Refer to the chart.

To change data appearing in the display	To navigate through the Selections	To choose what appears on the display	To navigate between menu items
Press <b>Select</b> . Two left characters blink.	Press <b>Next</b> or <b>Previous</b> . Continue pressing Next to view all selections.	Press <b>Select</b> . Blinking characters become static.	Press <b>Next</b> or <b>Previous</b> . Advance - press Next Previous - press Previous

### EYE OPEN

Sensor 2 configured to "Eye Open" in the installer menu

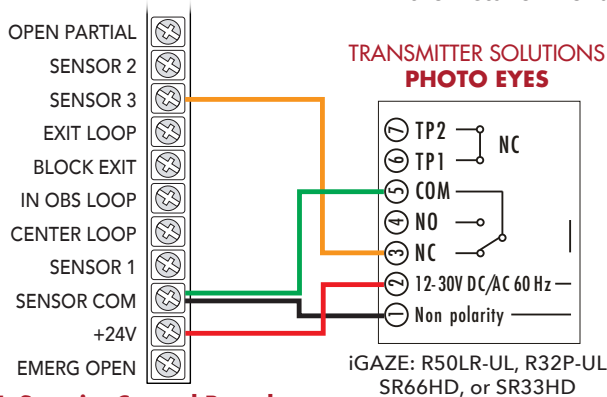


HySecurity Control Board



### EYE CLOSE

Sensor 3 configured to "Eye Close" in the installer menu

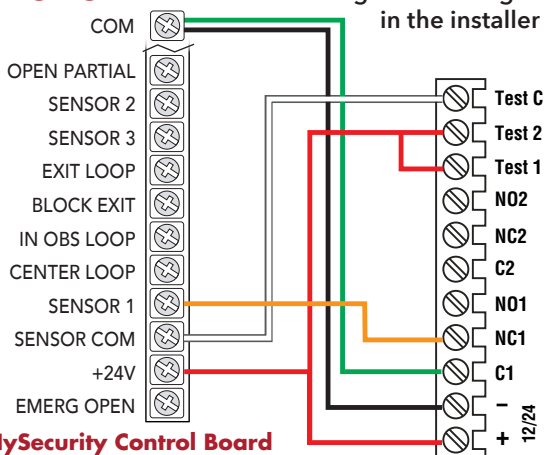


HySecurity Control Board

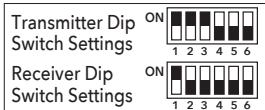


### EDGE OPEN

Sensor 1 configured to "Edge Open" in the installer menu



HySecurity Control Board

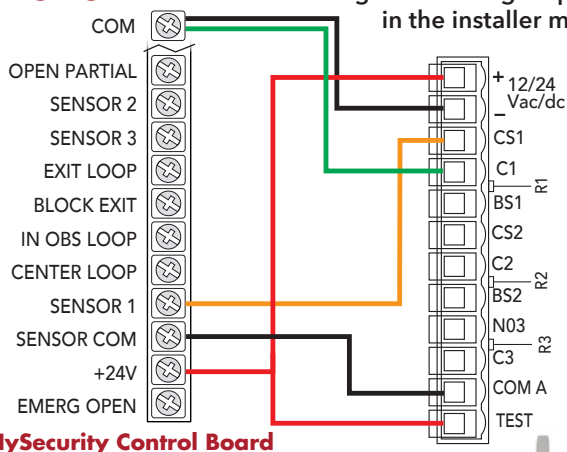


TRANSMITTER SOLUTIONS  
iGAZE RE UL 10kΩ KIT  
IGAZEREKIT-UL

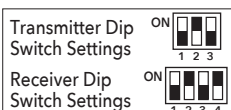


### EDGE OPEN

Sensor 1 configured to "Edge Open" in the installer menu



HySecurity Control Board

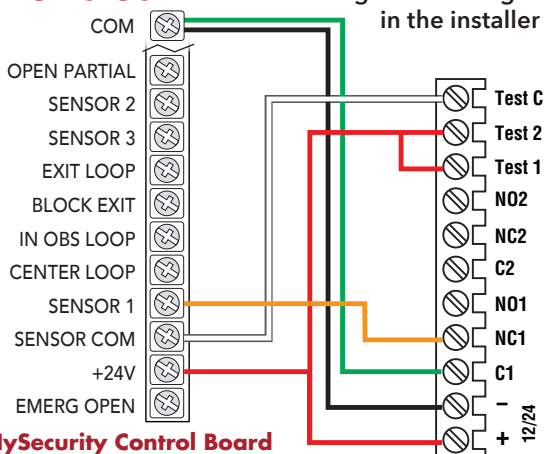


TRANSMITTER SOLUTIONS  
Radioband V3 Kit  
RBANDKIT3

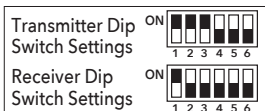


### EDGE CLOSE

Sensor 1 configured to "Edge Close" in the installer menu



HySecurity Control Board

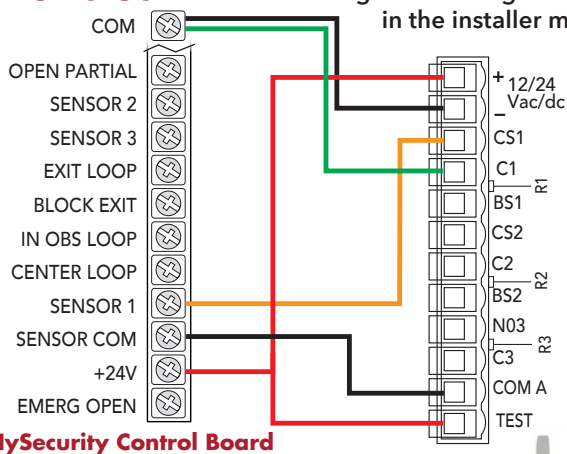


TRANSMITTER SOLUTIONS  
iGAZE RE UL 10kΩ KIT  
IGAZEREKIT

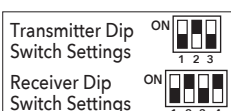


### EDGE CLOSE

Sensor 1 configured to "Edge Close" in the installer menu



HySecurity Control Board



TRANSMITTER SOLUTIONS  
Radioband V3 Kit  
RBANDKIT3



# Smart DC Controller Layout & Wiring Tips

The diagrams illustrate how to connect sensors and program the gate operator. HySecurity Smart DC gate operators can monitor entrapment protection sensors per UL 325 - 2015. Standard of Safety using software version h5.50 (or higher).

The site designer or installer must determine which external entrapment protection sensors will be installed with the gate operator to create a UL 325 compliant installation site. For additional information, review [Gate Safety on the HySecurity website](#).

Post 2016 Board Label

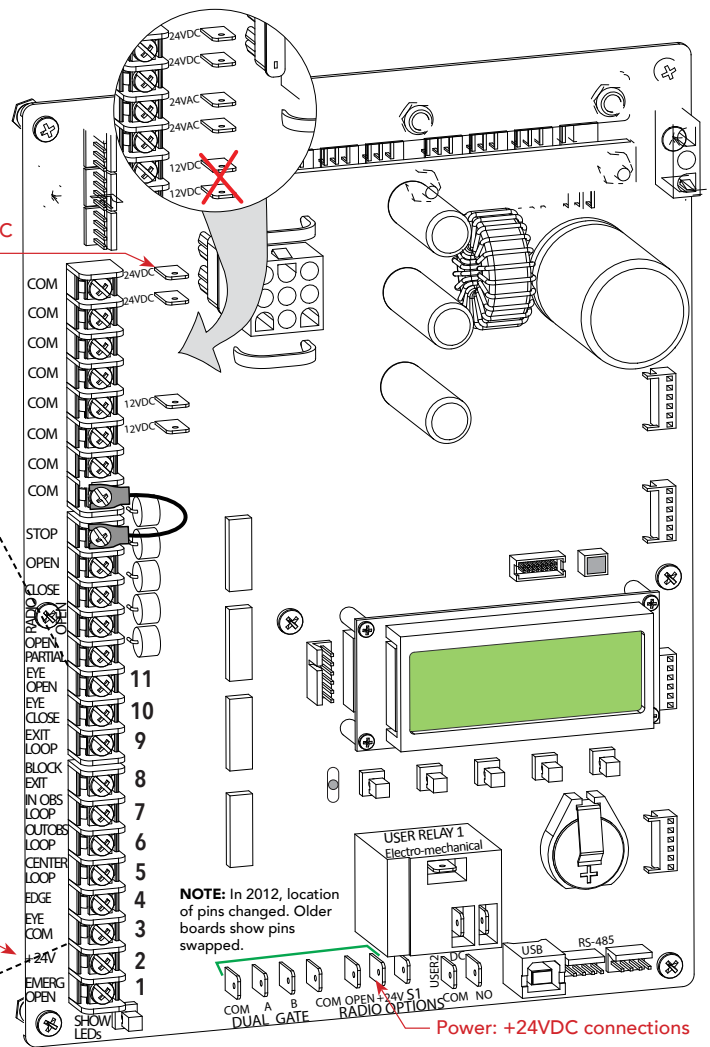
- SENSOR 2
- SENSOR 3
- EXIT LOOP
- BLOCK EXIT
- IN OBS LOOP
- OUT OBS LOOP
- CENTER LOOP
- SENSOR 1
- SENSOR COM

Power: +24VDC connections

Power: +24VDC connections

NOTE: In 2012, location of pins changed. Older boards show pins swapped.

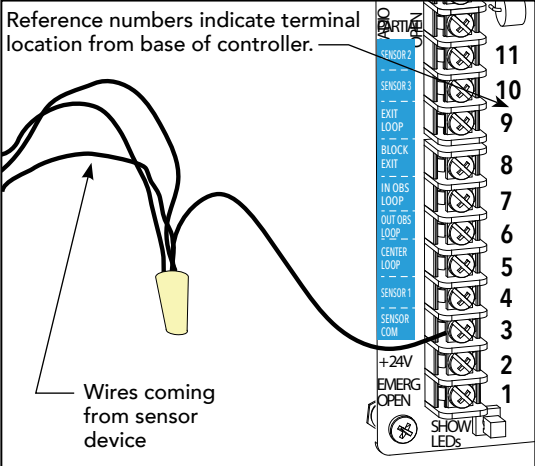
Power: +24VDC connections



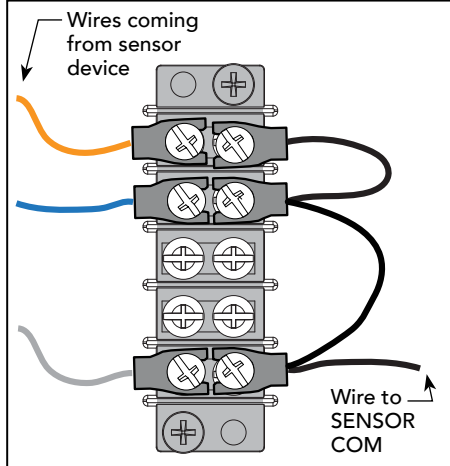
## Wiring tips for Sensor COM Terminal: Smart DC

If using multiple sensor devices, use a wire nut as a junction and pigtail to SENSOR COM. Or, stack locking spade connectors. Or, install a separate terminal block and jumper outputs to one lead for SENSOR COM.

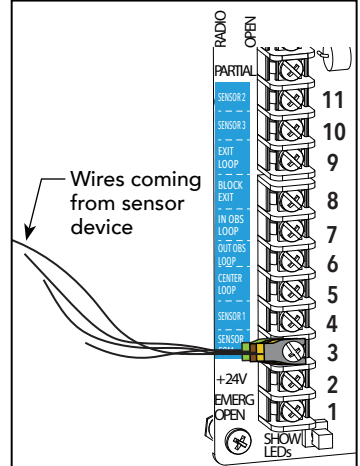
**CAUTION:** All external entrapment protection sensors must be NC sensor outputs and wired to the SENSOR COM terminal for monitoring and powering purposes. The sensor becomes actively powered when the gate operator receives a run command.



Wire nut and pigtail to SENSOR COM



Add terminal block



Crimp spade on wire and stack

Used with permission of Hysecurity®. All graphics, language and layouts are copyright protected by Hysecurity® Inc. of Inglewood, CA. Hysecurity® assumes no responsibility for the accuracy of the information provided by Transmitter Solutions. The Transmitter Solutions products listed have not been tested nor listed by Hysecurity® as being UL Compliant for their system. All testing has been conducted by Transmitter Solutions.