



# iGAZERSR33HD Photo Eyes



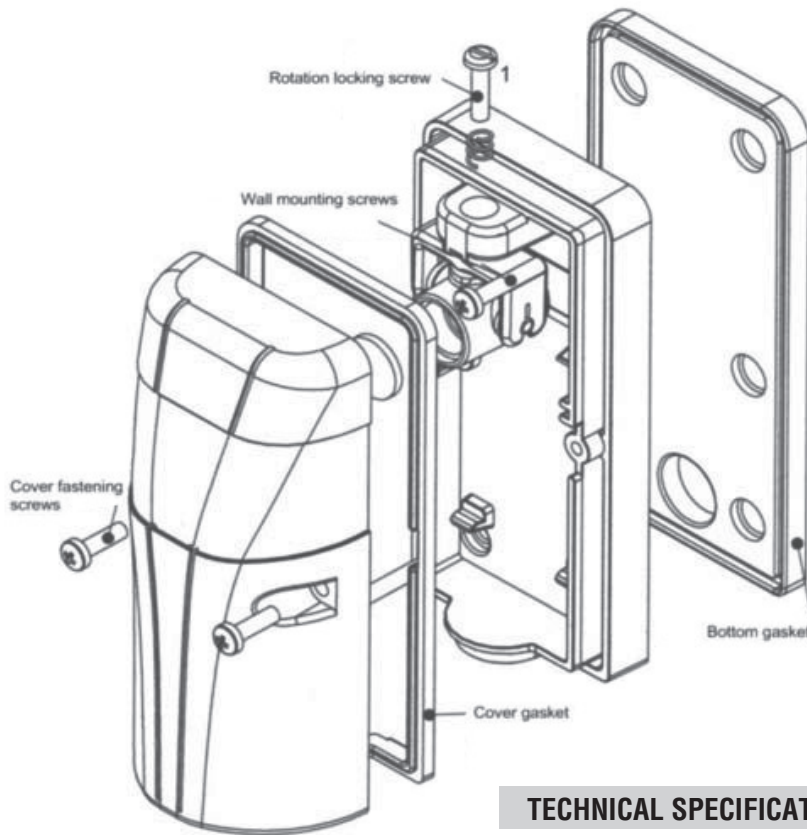
## OPERATING AND INSTALLATION INSTRUCTIONS

### DESCRIPTION:

The iGAZERSR33HD is a 12 or 24 V ac/dc infrared photocell. The fields of application are the classic ones pertaining to safety and presence detection systems. It is small and its optics can be adjusted +/- 90° horizontally and +/- 15° vertically. Its container is equipped with sealing gaskets and two fastening bolts that allow the front to be closed and a high IP.

### ASSEMBLY INSTRUCTIONS

Secure the containers on the pillars or columns at approximately 15 - 23 inches from the ground and at a maximum distance of 4 inches from the conveying / crushing zone, or immediately after any obstruction caused at the border. In the case of doors on swing gates, the 4 inch distance is to be measured with the door leaves open. However, it is recommended to place the TX and RX on the same axis.

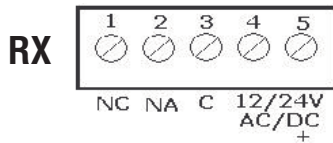


### TECHNICAL SPECIFICATIONS:

Power supply	12/24 VAC/DC
TX consumption	65 mA at 24 VAC
RC consumption	30 mA at 24 VAC
Wave length	950 nm
Modulation	1.33 KHz
Current commutable by the relay	1 A at 24 V
Rating	IP 55
Load	33 feet

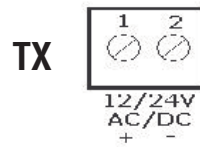
## RX CONNECTIONS

1. N.C. Relay contact
2. N.O. Relay contact
3. Common Relay contact
4. Power supply 12/24 VAC/DC -
5. Power supply 12/24 VAC/DC +



## TX CONNECTIONS

1. Power supply 12/24 VAC/DC +
2. Power supply 12/24 VAC/DC -

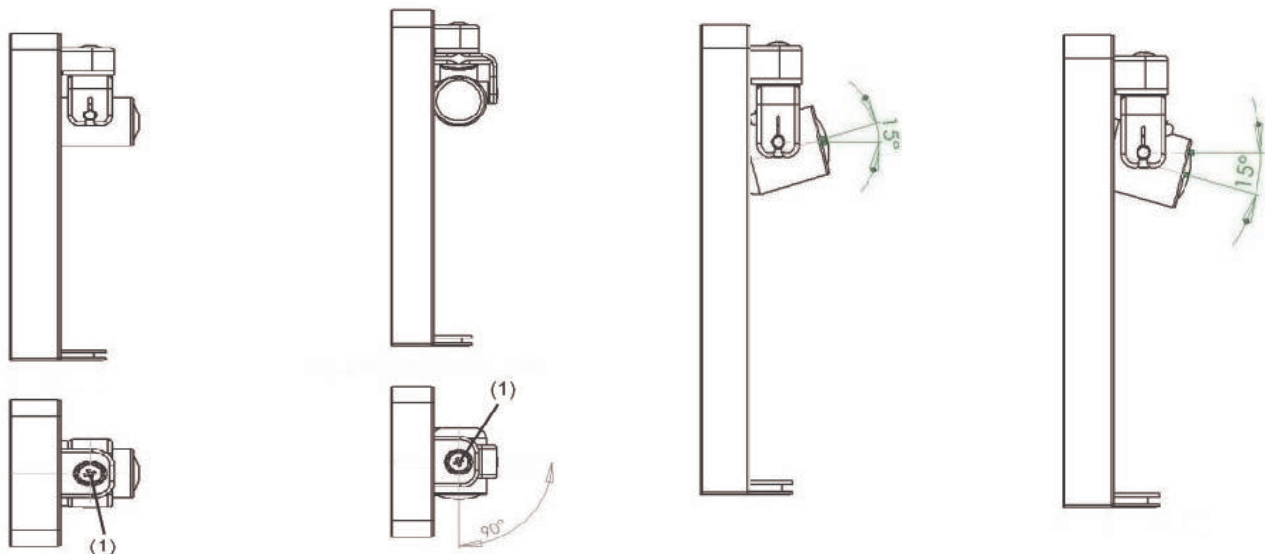


## Jumper J2 TX/RX

- J2** Select 12 or 24 V  
J2 inserted = 12 V  
J2 not inserted = 24 V

## OPTICS ADJUSTMENT:

The optical section of the iGAZERSR33HD can be adjusted horizontally as well as vertically. The optical fastening system is equipped with a ring nut with small teeth that allow fixed adjustments to be made. The vertical adjustment range is  $\pm 15^\circ$ , whereas the horizontal range is  $\pm 90^\circ$ . Should the optics be too rigid to be moved, loosen screw (1) that is above the spyglass so as to loosen the spring's tension. As soon as the adjustment is made, tighten the locking screw again.



## ATTENTION:

Transmitter Solutions is not responsible for wrong connections or damages to persons or things. The installation must be done by qualified people.