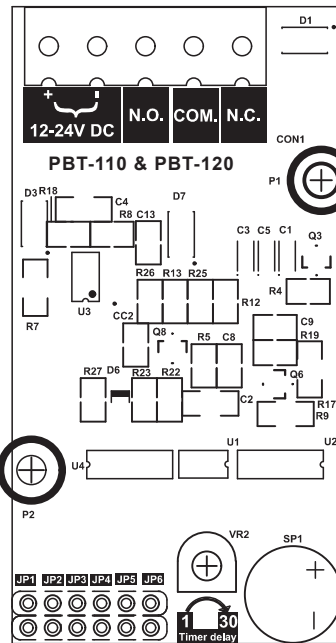


# Specifications

# Request -To- Exit Switch PBT120 & PBT 110 Instruction Manual

## Jumper Setting

Jumper	Setting	Relay Output	COM. — N.C.	Relay Output	COM. — N.O.
1	1 ■	Relay Output (Pushed)	Relay Output	COM. — N.C.	COM. — N.O.
	1 ■	Relay Output (Pushed)	Relay Output	COM. — N.O.	COM. — N.C.
2	2 ■	Stay on			
	2 ■	Flash			
3,4,5,6	3 ■ 4 ■ 5 ■ 6 ■	No illumination (Pushed)	Red		
	3 ■ 4 ■ 5 ■ 6 ■	Red (Pushed)	No illumination		
	3 ■ 4 ■ 5 ■ 6 ■	No illumination (Pushed)	Green		
	3 ■ 4 ■ 5 ■ 6 ■	Green (Pushed)	No illumination		
	3 ■ 4 ■ 5 ■ 6 ■	Red (Pushed)	Green		
	3 ■ 4 ■ 5 ■ 6 ■	Green (Pushed)	Red		



- Input Voltage: 12~24VDC
- Current Draw: 80mA/12VDC max  
40mA/24VDC max
- Max. Rating: 2A/30VDC.
- Time Delay: 1 to 30 secs
- Operating Temperature: -20°C to +70°C
- Beeper sounds.
- Bi-color LED indicator (Green/Red)
- Relay output contact (COM, N.O., N.C.)

JP Setting:

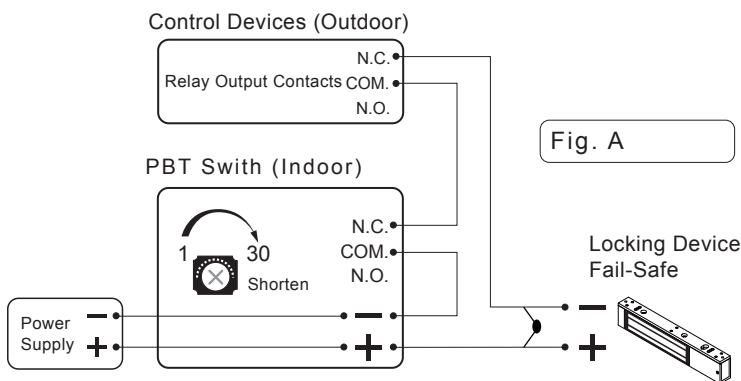
JP1: Relay Output Mode

JP2: LED Flash or Stay on setting

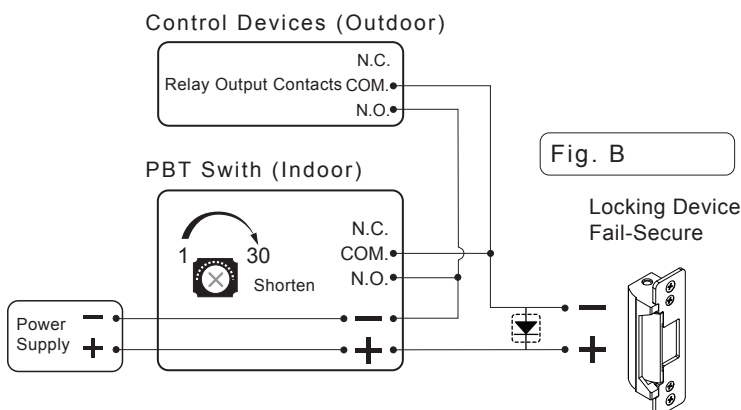
JP3 to JP6: Red or Green, lighting or standby

## Connecting Diagram

The following proposed instructions of PBT series are for security installations. The in-built N.O. & N.C. dry contacts can connect with other access control devices (electric lock, reader, digital keypad) by either parallel or series connection.



In Fig. A, The PBT controls in series with Fail-Safe electric lock. The time setting of PBT is the same as the unlocked time.



In Fig. B, The PBT controls in parallel with Fail-Secure electric lock. The time setting of PBT is the same as the unlocked time.

### Precautions

- Please make sure the provided power is sufficient, otherwise repeated or incorrect actions might occur or internal relay might be inactive.
- Please be aware of the max. rating of the internal relay to avoid a crash or burn.
- Make sure the positive "+" and the negative "-" are connected correctly.
- Please add varistor or diode to absorb instant impact of EMF which is from shutting power off, otherwise the control circuits will be damaged.