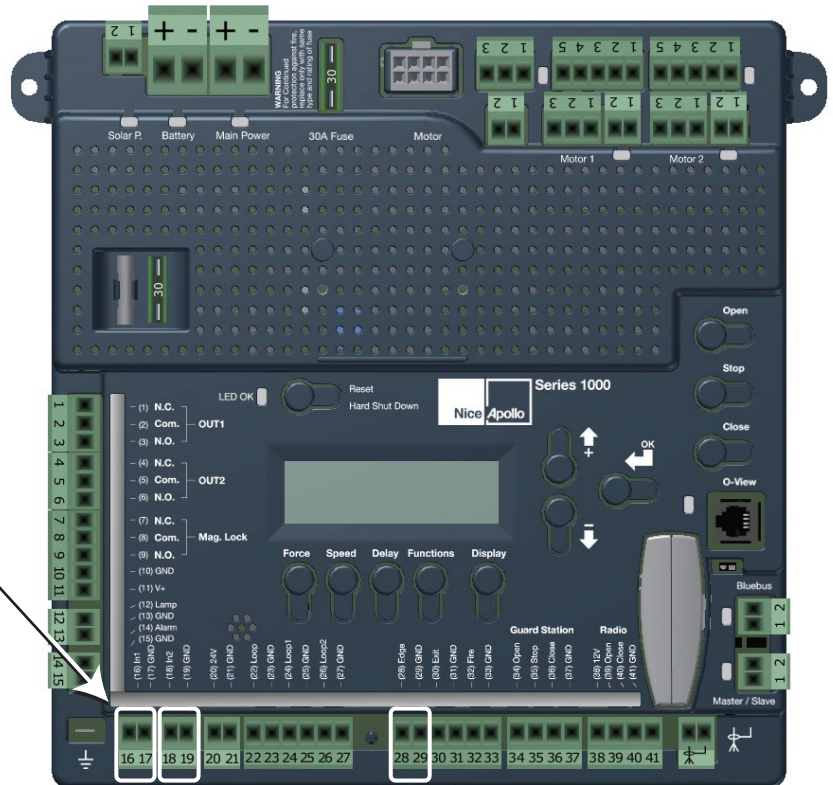


## NICE® 1050 US BOARD Entrapment and Safety Protection



### Programming for IN1 (terminal # 16)

1. Press "Functions"
2. Scroll down to "3. Auxiliary IO"
3. Press "OK"
4. "In Aux1" is now visible
5. Press "OK"
6. Scroll up to either "Pulse Safety" or "Pulse Entrap"
7. Press "OK"
8. Connect 300Hz Pulse Monitored Safety Device

### Programming for IN2 (terminal # 18)

1. Press "Functions"
2. Scroll down to "3. Auxiliary IO"
3. Press "OK"
4. Scroll up to "In Aux2"
5. Press "OK"
6. Scroll up to either "Pulse Safety" or "Pulse Entrap"
7. Press "OK"
8. Connect 300Hz Pulse Monitored Safety Device

### Programming for UL/EDGE (terminal #28)

1. Press "Functions"
2. Scroll down to "9. Advanced Settings"
3. Press "OK"
4. Scroll down to "UL Input"
5. Press "OK"
6. Scroll to either "Analog" or "Digital" setting (depending on edge type)
  - Analog (8.2kΩ) - Digital (NC/NO)
7. Press "OK"
8. To exit the configuration menu press "Display", then press "OK"

**NOTE:**  
In1 LED glows red  
when aligned

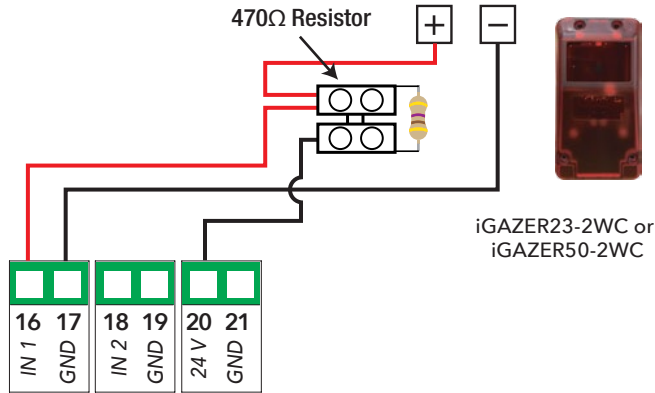
### NOTES:

- "Pulse Safety" and "Pulse Entrap" options are only available on 1050US boards. (FW: 01.06.00 or higher)
- Only one monitored (Pulse) device may be connected per input at In1 or In2.
- At least one monitored device must be connected properly to 1050 US boards. A "BlueBus Error" will result if this requirement is not met.

## PULSE SAFETY - IN1

(Terminal #16)

TRANSMITTER SOLUTIONS  
PHOTO EYE

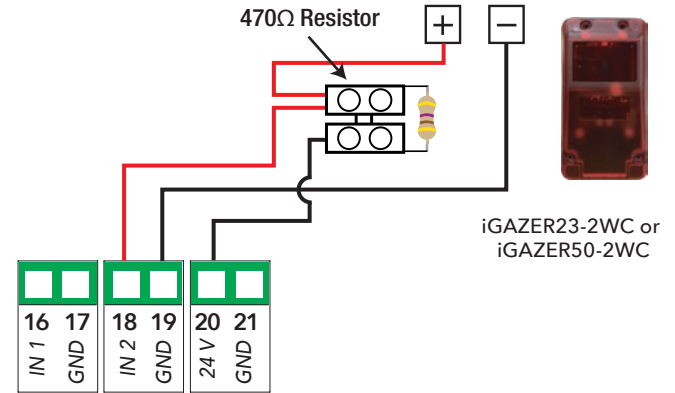


Nice 1050 Board UL-325

## PULSE ENTRAPMENT - IN2

(Terminal #18)

TRANSMITTER SOLUTIONS  
PHOTO EYE



Nice 1050 Board UL-325

### PULSE SAFETY:

When an obstruction is detected during the close operation of the gate, the gate will reverse fully open and will re-close when the auto-timer has timed out.

### PULSE ENTRAPMENT:

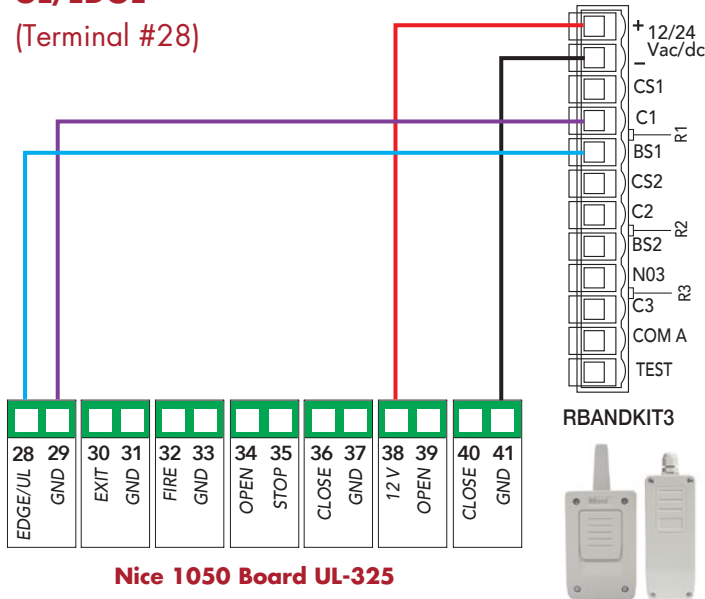
When an obstruction is detected during either the open or close operation of the gate, the gate will reverse for 2 seconds and enter a soft shutdown until an open or close command is given.

If a second obstruction is detected during the same open/close cycle, the gate will enter a hard shutdown and enter alarm mode.

## ANALOG (8.2kΩ) UL/EDGE

(Terminal #28)

TRANSMITTER SOLUTIONS  
RADIOBAND V3-UL KIT

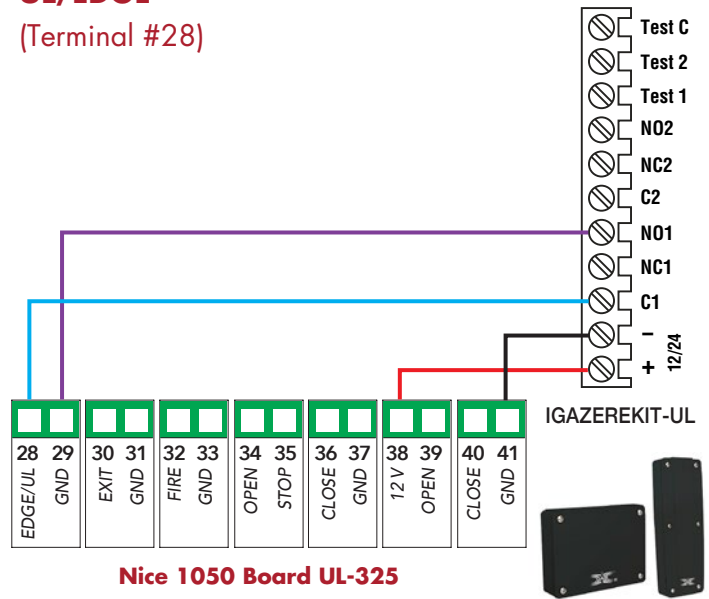


Nice 1050 Board UL-325

## ANALOG (8.2kΩ) UL/EDGE

(Terminal #28)

TRANSMITTER SOLUTIONS  
iGAZE RE UL 10kΩ KIT



Nice 1050 Board UL-325

### ANALOG (UL/EDGE):

When an obstruction is detected during either the open or close operation of the gate, the gate will reverse for 2 seconds and enter a soft shutdown until an open or close command is given.

If a second obstruction is detected during the same open/close cycle, the gate will enter a hard shutdown and enter alarm mode.