



Patent:  
ZL 2006 2 0122522.X  
Nr.20 2006 012 052.1  
M308308  
GB 06 16099.8  
06 07229 (France)

## Features

- MOV provides spike and surge protection
- Aluminum anodized casing
- Mounting plate & housing for easy installation
- Dual voltage 12 or 24 VDC (selectable)
- Anti-Residual magnetism function

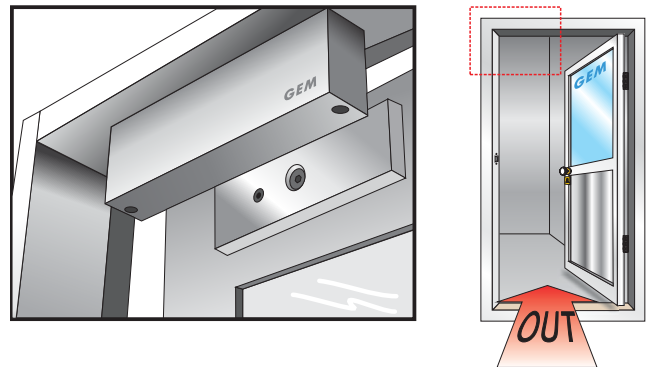
## About

EM-NH300 is designed for surface mount on outswing doors. Its slide-in mounting plate simplifies the process of installation and firmly secures the magnet. EM-NH300M comes with magnetic bond sensor indicating locked and unlocked status. EM-NH300M-TD is equipped with magnetic bond sensor and relock time delay.

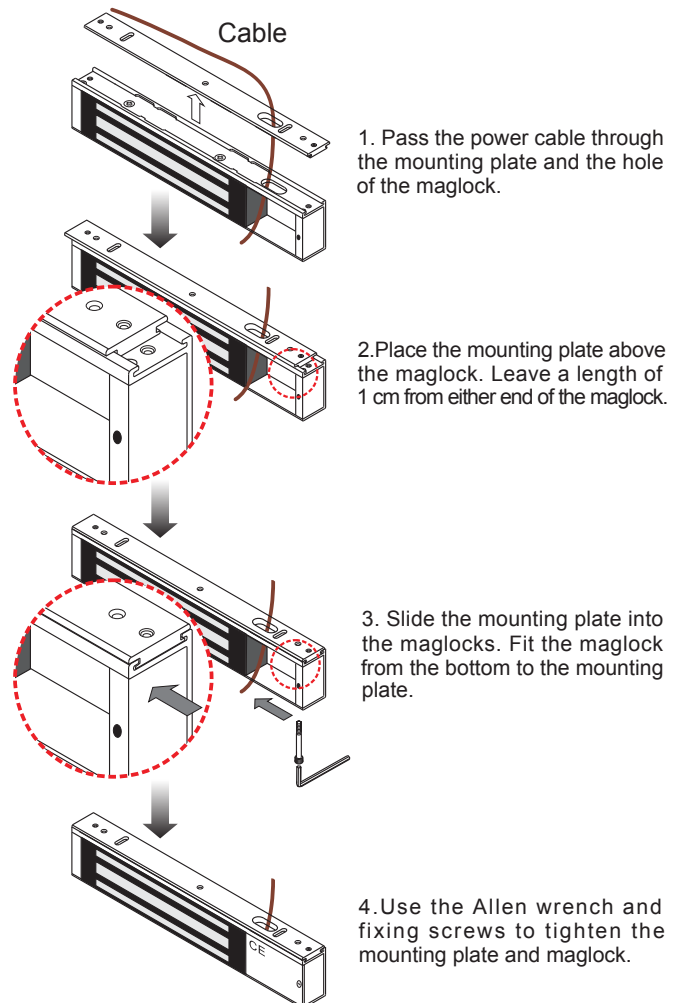
## Specification

- Operating Voltage: 12/24 VDC (Dual voltage)
- Current Draw: 500mA/12VDC; 250mA/24VDC (at 20°C)
- Operating Temperature: -10~55°C (14~131°F)
- Humidity: 0~95% non-condensing.
- Holding Force: Up to 600 lbs (272 Kg)
- Dimensions:
  - Magnet: (L) 250, (W) 46, (D) 25 mm
  - Armature Plate: (L) 185, (W) 38, (D) 12 mm
  - Mounting Plate: (L) 250, (W) 25, (D) 5 mm
- Special Finishes for magnet and armature plate: Zinc Plated
- Epoxy Potting Compound: E87252 (S), UL94V-0
- Net Weight: 2.0Kg

## Regular Installation



## Special Mounting Plate Design

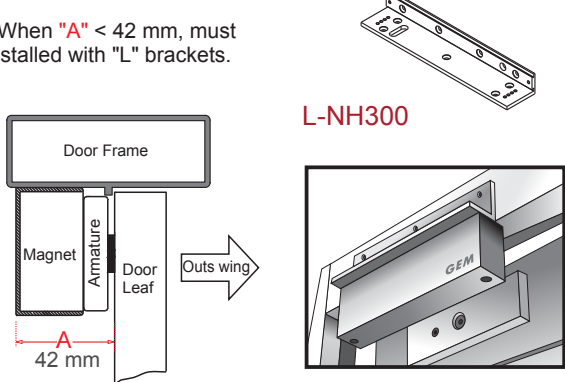


### Optional Brackets

Bracket installation is according to door swing direction and door frame type, e.g. narrow frame door, frame less glass door, in swing door, etc.

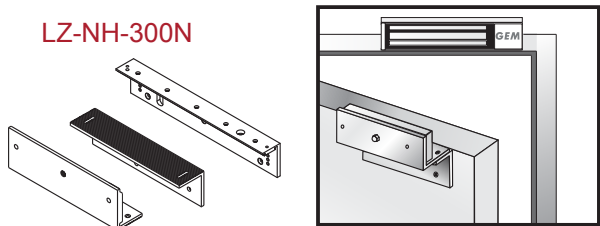
#### L-bracket for narrow door frames

When "A" < 42 mm, must installed with "L" brackets.



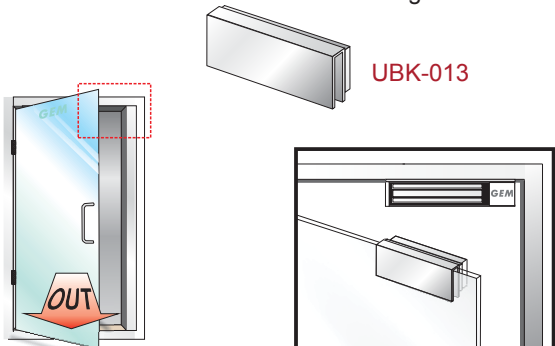
#### LZ-bracket for in swing doors

LZ-NH-300N



#### U-bracket for frame-less glass doors

UBK-013 For 10~12 mm thickness of glass door



### Operating Features

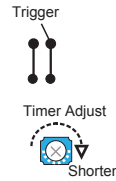
#### xxxx-M: Bond sensor output



Bond sensor output  
SPDT rated: 0.5A/125VAC; 1A/24VDC

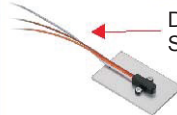
Indicate the locked & unlocked status with visible LED indicator.

#### xxxx-TD: Relock time delay



Ensure the automatic lock mode after the door is closed properly and it can be adjusted from 1 to 80 seconds.

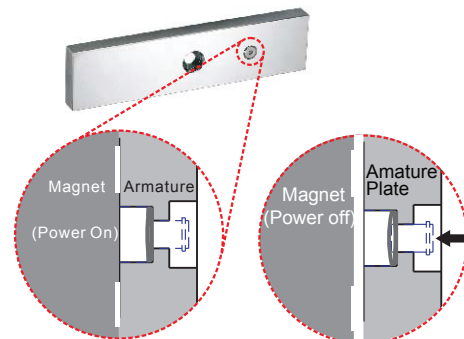
#### xxxx-DS: Door status



Door status output  
SPDT rated: 0.2A/12VDC

Door Status Sensor indicates the door is in an open or closed status.

### Anti-residual statement



#### Anti-residual statement

Our electromagnet locks feature Anti-Residual Magnetism (ARM) which ensures the door can be opened without any resistance from leftover magnetic imparted to the armature plate

### Warranty

The warranty period of this product is 60 months, beginning from the manufacturing date. During this period, if the product does not operate correctly, due to a defective component, the product will be repaired or replaced at the sole discretion of Transmitter Solutions. This warranty does not extend to the product casing which can be damaged by conditions outside of the control of Transmitter Solutions.