

110PTE & 120PTE

Request to Exit Switch



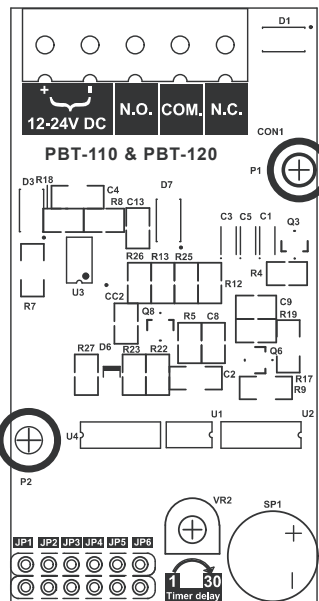
FEATURES

- 110PTE - Single Gang / 120PTE - Mullion
- Input Voltage: 12~24VDC
- Interior only
- On board adj. time delay
- Optional stand alone solution
- Bi-color LED indicator (Green/Red)
- Relay output contact (COM, N.O., N.C.)



Jumper Setting

Jumper				
1	1	Relay Output COM.—N.C.	(Pushed)	Relay Output COM.—N.O.
	1	Relay Output COM.—N.O.	(Pushed)	Relay Output COM.—N.C.
2	2	Stay on		
	2	Flash		
3,4,5,6	3,4,5,6	No illumination	(Pushed)	Red
	3,4,5,6	Red	(Pushed)	No illumination
	3,4,5,6	No illumination	(Pushed)	Green
	3,4,5,6	Green	(Pushed)	No illumination
	3,4,5,6	Red	(Pushed)	Green
	3,4,5,6	Green	(Pushed)	Red



Current Draw: 80mA/12VDC max
40mA/24VDC max
Max. Rating: 2A/30VDC.
Time Delay: 1 to 30 secs
Operating Temperature: -20°C to +70°C
Beeper sounds.

JP Setting:

JP1: Relay Output Mode

JP2: LED Flash or Stay on setting

JP3 to JP6: Red or Green, lighting or standby