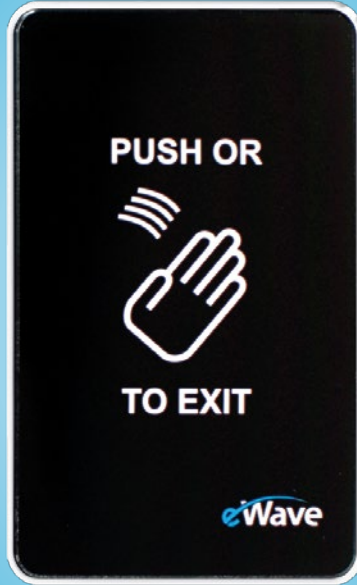


eWAVE

CONTACTLESS DOOR SYSTEM



Part No: ewave

USER MANUAL

V.4.6.17



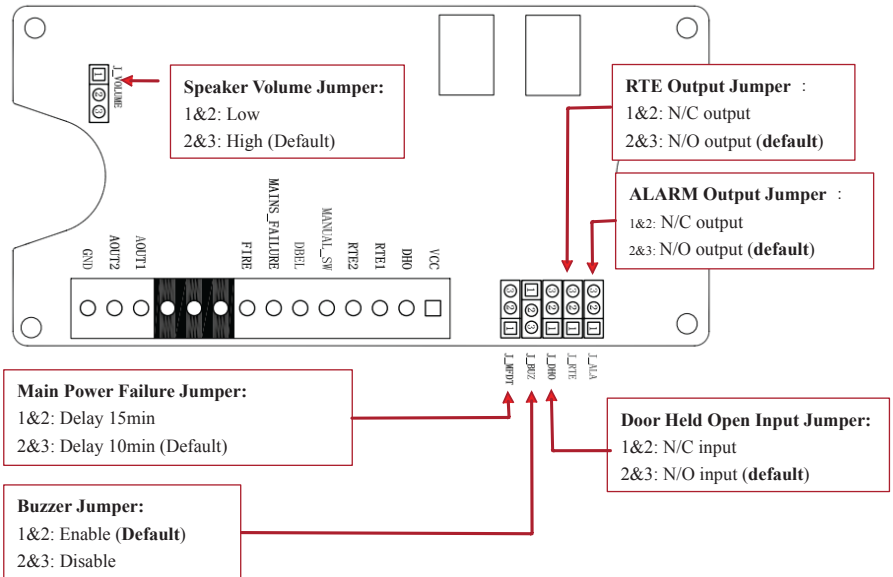
DESCRIPTION

Transmitter Solution's iREX2 (intelligent request to exit button) is a non-touch proximity exit button that uses capacitive proximity technology rather than infra-red. Capacitive proximity is an ideal solution compared to infra-red because infra-red often malfunctions with sunlight, air conditioning, or other environmental changes present. In addition, the non-touch feature helps prevent the spread of sickness as it keeps the device more clean and sterile than traditional touch-activated exit buttons.

FUNCTION

- To activate the device place your hand in close proximity to the exit button. When the exit button is activated the internal LED light will turn green, the relay within the exit button will activate for 1 second, and a buzzer will beep one time.
- A blue LED located in the bottom left corner of the exit button indicates a door held open status signal. This LED signal can be triggered by an output signal from the door controller.
- A red LED located in the bottom left corner of the exit button indicates a main power failure.
- A yellow LED located in the bottom left corner of the exit button indicates a fire alarm input and will automatically open the door in this event.
- The exit button will sound an alarm when in a state of emergency (ie. Fire alarm, tamper alarm, etc.)

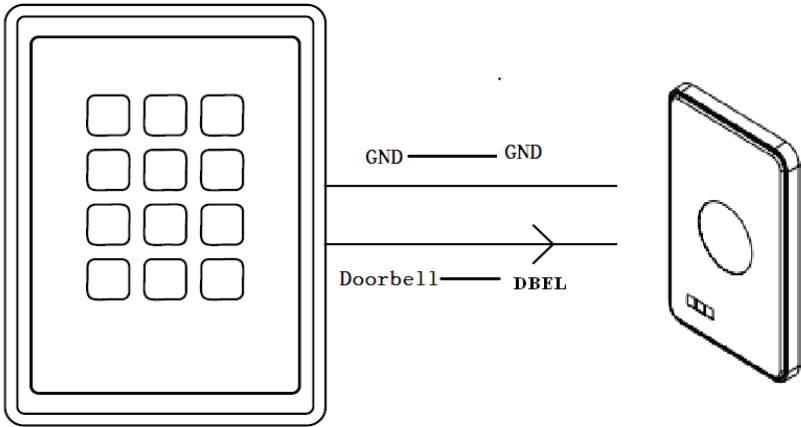
INSTRUCTION MAP FOR PCB AND JUMPER



WIRING

Label	Description
VCC	Power Input (+12VDC)
DHO	Door Held Open Input. If there is open input, DHO active when door close, and vice versa.
RTE1	Exit Button Output (Dry Contact)
RTE2	
MANUAL_SW	Manual Open Input, MANUAL_SW active when door close
DBEL	Door Bell Output (5V-12V touch off)
MAINS_FAILURE	Main Power Failure Input, MAINS_FAILURE active when received main power failure signal
FIRE	Fire Alarm Input , FIRE active when received fire alarm signal
AOUT1	Fire Alarm Output (Dry Contact)
AOUT2	
GND	Signal Ground (0 VDC)

Wireless between reader and exit button:



INSTALLATION

- 1) Confirm that the size of the installation box is fit for the iREX exit button as shown in Fig. 1.

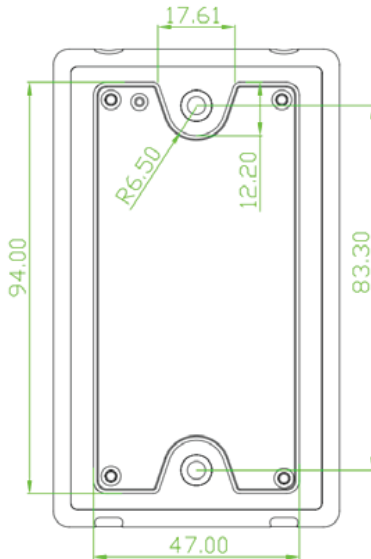


Fig.1

- 2) Using the wiring information and jumper diagram (see previous pages) wire the device suitable to your needs and ensure the jumpers are placed in the correct places for your specific install job.
- 3) Place the device with the testing keyhole down into the installation box (as shown in Fig. 2) and fix to the box with the screws provided.

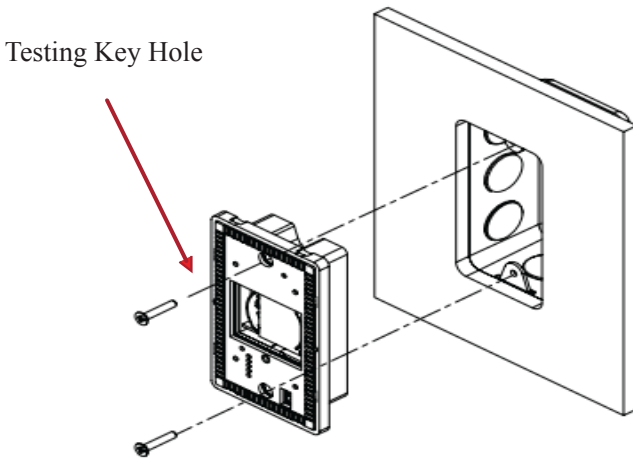


Fig.2

4) There are 2 M-shaped buckles at the bottom of the cover plate (as shown in Fig. 3). Buckle these M-shaped buckles into the slots at the bottom of the module and push the cover up to secure in place (as shown in Fig. 4).

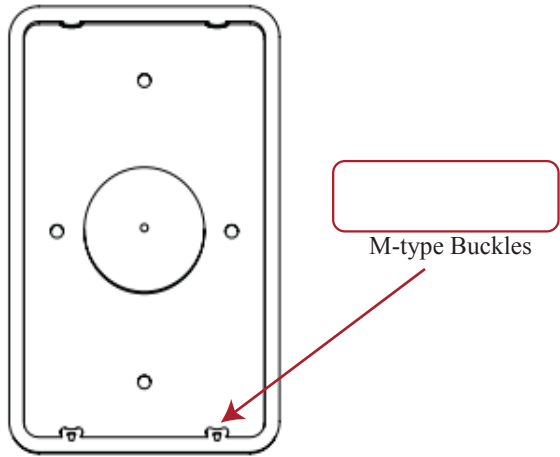


Fig.3

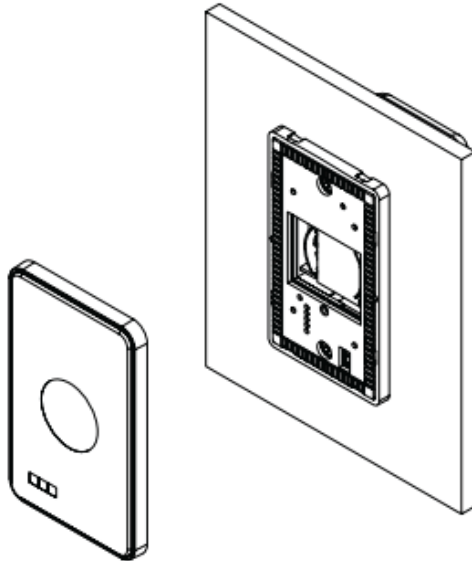


Fig.4

WARRANTY:

The warranty period of Transmitter Solutions keypads are 24 months. This warranty shall begin on the date the keypad is manufactured. During the warranty period, the product will be repaired or replaced (at the sole discretion of Transmitter Solutions) if the product does not operate correctly due to a defective component. This warranty does not extend to (a) the product case, which can be damaged by conditions outside the control of Transmitter Solutions, or (b) battery life of the product. This warranty is further limited by the following disclaimer of warranty and liability:

EXCEPT AS SET FORTH ABOVE, TRANSMITTER SOLUTIONS MAKES NO WARRANTIES REGARDING THE GOODS, EXPRESS OR IMPLIED, INCLUDING WARRANTY OF MERCHANTABILITY OR WARRANTY OF FITNESS FOR A PARTICULAR PURPOSE. BUYER MAKES NO RELIANCE ON ANY REPRESENTATION OF TRANSMITTER SOLUTIONS, EXPRESS OR IMPLIED, WITH REGARD TO THE GOODS AND ACCEPTS THEM "AS-IS/WHERE-IS". TRANSMITTER SOLUTIONS SELLS THE GOODS TO BUYER ON CONDITION THAT TRANSMITTER SOLUTIONS WILL HAVE NO LIABILITY OF ANY KIND AS A RESULT OF THE SALE. BUYER AGREES THAT TRANSMITTER SOLUTIONS SHALL HAVE NO LIABILITY FOR DAMAGES OF ANY KIND, WHETHER DIRECT, INCIDENTAL OR CONSEQUENTIAL DAMAGES, INCLUDING INJURIES TO PERSONS OR PROPERTY, TO BUYER, ITS EMPLOYEES OR AGENTS, AS A RESULT OF THE SALE. BUYER ALSO AGREES TO HOLD TRANSMITTER SOLUTIONS HARMLESS FROM ANY CLAIMS BUYER, OR ANY THIRD PARTY, MAY HAVE AS A RESULT OF BUYER'S USE OR DISPOSAL OF THE GOODS. BUYER HAS READ THIS DISCLAIMER AND AGREES WITH ITS TERMS IN CONSIDERATION OF RECEIVING THE GOODS.



2480 South 3850 West, Suite B Salt Lake City, UT 84120
(866) 975-0101 • (866) 975-0404 fax
www.transmittersolutions.com