

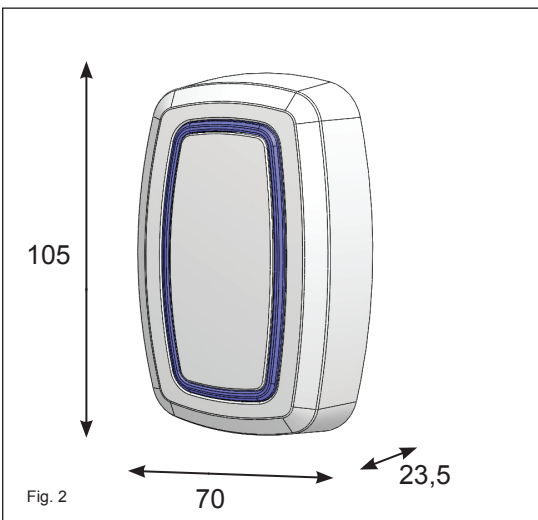
1 Introduction



The Touch transmitter TRAKEYFREE2 transmitter is a special radio transmitter operating at 433,92 MHz in AM/ASK modulation. It's mainly composed by a capacitive touch sensitive circuit and by a radio transmitter. It can be used to operate gates, doors or garage doors or any device with the corresponding compatible 433 MHz receiver. The security protocol is a KeeLoq® Hopping code . A special sensor lights the led frame when the hand approaches the device at about 10 cm and triggers the radio transmission when it touches the front surface. The enclosure allows outdoor installations (IP55). Each product is already factory programmed with a different security code. The transmitter is battery supplied with a ER14505 lithium battery for 2 year life.

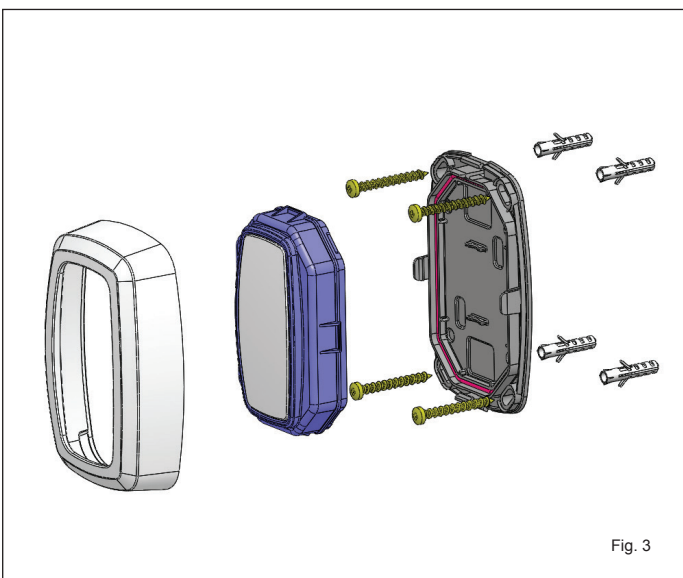
Color	P/N
White	TRAKEYFREE2-W
Black	TRAKEYFREE2-B

2 Technical Specifications

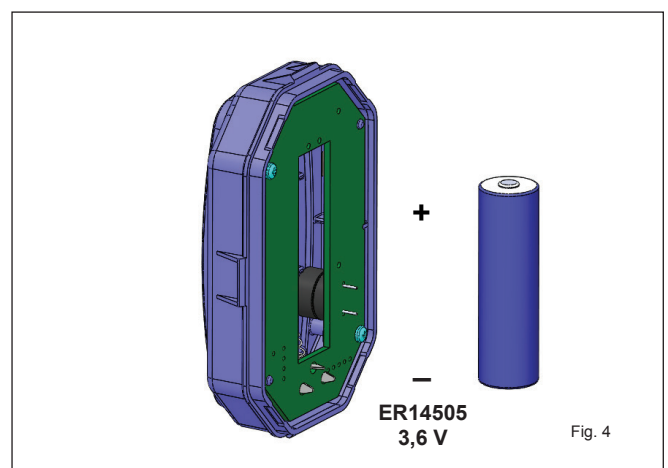



Carrier frequency433,92 MHz
 ModulationAM/ASK
 N° channels1
 E.r.p.300 uW
 Battery typeER14505 Lithium
 Operating voltage3,6 Vdc
 Current consumption2 µA : stand-by
60 mA : transmission
 Battery life:..... 2 years
 Security protocol.....KeeLoq® Hopping code
 Code combinations.....2exp64
 Range in open space.....200/300 m
 Operating temperature-20°/+80°C
 Enclosure IP grade.....IP55
 Dimensions (mm)105 x 70 x 23,5
 Weight (gr.).....100

3 Mounting

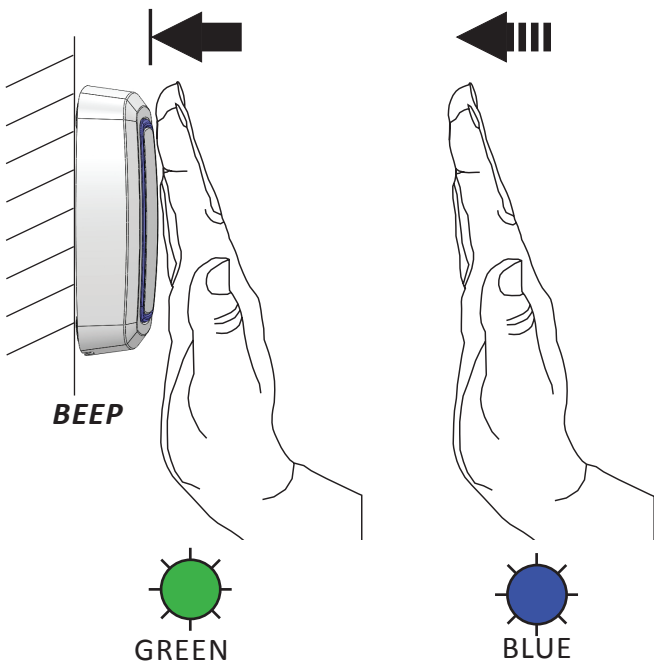


4 Battery replacement

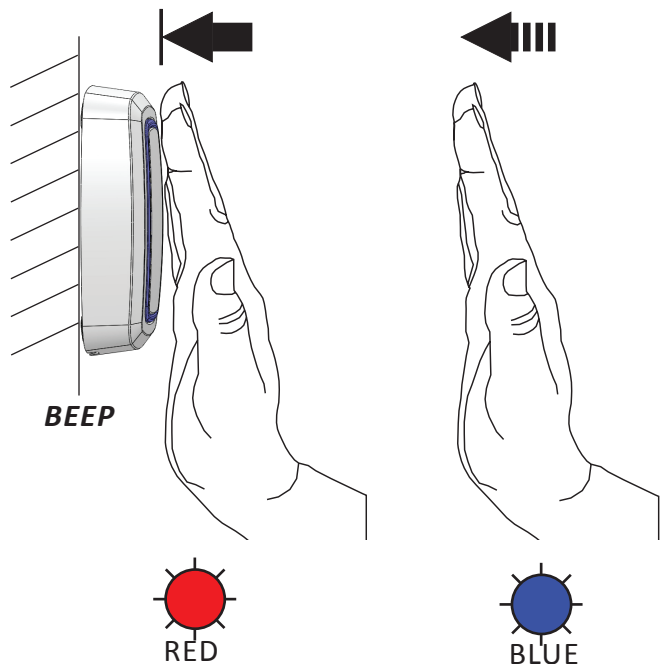


 **Replace the battery with another identical or equivalent respecting the polarity as indicated above**
NOTE: Please dispose of the batteries correctly, they are hazardous waste.

5 Use



6 Battery Low



The light of the touch transmitter becomes BLUE when the hand approaches at about 10 cm and becomes GREEN when the hand touches the surface.

The RF transmission starts at the "Beep" of the buzzer.

In case of battery low the GREEN color becomes RED.

7 Memorization

For the memorization of the transmitter onto the corresponding receiver, follow the procedure described on the receiver manual. The touch transmitter is read by any Erone receiver as the button "A"

8 FCC

FCC ID = PWJTTH

This device complies with Part 15 of the FCC Rules provided it is assembled in exact accordance with the instructions provided with this kit. Operation is subject to the following conditions:

- (1) this device may not cause harmful interference, and
- (2) this device must accept any interference received including interference that may cause undesired operation.

9 Notice

Any changes or modifications on equipment not expressly approved by the Transmitter Solutions could void the user's authority to operate with the equipment.

10 Guarantee

The warranty period for this product is 24 months, beginning from the manufacturer date. During this period, if the product does not work correctly, due to a defective component, the product will be repaired or substituted at our discretion. The guarantee does not cover the plastic container integrity. After-sale service is supplied at the factory.



Transmitter Solutions
2505 Chandler Avenue, Suite, 1
Las Vegas, NV 89120 -
(866) 975-0101 - (866) 975-0404 Fax
sales@transmittersolutions.com

