



Safety Edge Kits

Transmitter Solutions provides a complete line of **monitored and non-monitored resistive safety edges** and **Wireless safety edge kits**, all of which are UL listed products built to integrate with most 2016 UL 325 gate operators. All edges are built for long-lasting stability and durability in virtually any environment.

Wireless Safety Edge Kits

iGAZE® RE SAFETY EDGE KIT (N.O., 8.2KΩ or 10KΩ)

- Includes Wireless Transmitter (2 AA Batteries), Receiver (12VAC/DC), Transmitter Batteries Included
- Functions with Mechanical & Resistive Edges Simultaneously
- 65 Feet of Range Between Receiver & Transmitter
- 8 Edges per relay



Part No: IGAZEREKIT-UL



TRADITIONAL EDGE (N.O., 8.2KΩ or 10KΩ)

The traditional profile edge is easily assembled with our non-glue end caps that are available in N.O., 8.2K, and 10K options.

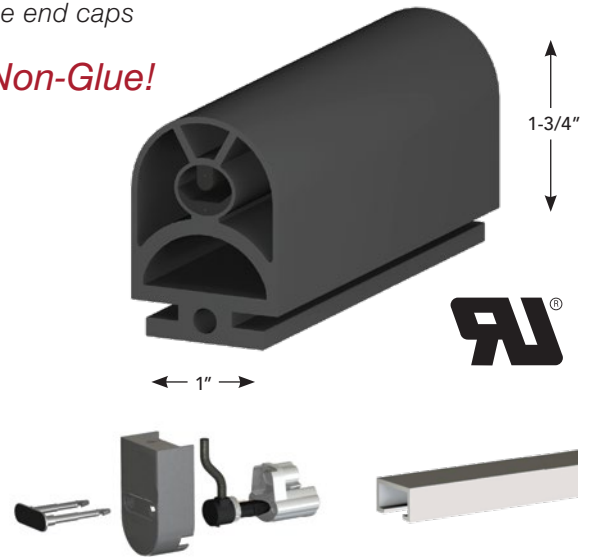
LOW PROFILE EDGE KIT

Kit Includes:

- 5 Foot Profile
- End Cap Kit
- 5 Foot Aluminum Rail

Material	TPE
Material Hardness	68 Shore A
Enclosure	IP65
Weight kg/m	0,34
Switching Cycles	10.000
Electrical Capacity	24 V 10mA
Operating Temp.	14°F to 122°F
Max Temp.	-13°F to 167°F
Max Length	328 ft
Connection Cables	LIY11Y 2x0,34 mm

Non-Glue!



N.O. Output Part No: SAFEEDGE5FT250NO

8.2K Resistor Part No: SAFEEDGE5FT2508.2K

10K Resistor Part No: SAFEEDGE5FT25010K

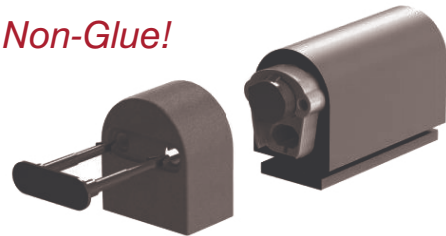
LOW PROFILE EDGE RESISTOR PLUG AND END CAP KIT

N.O. Output Part No: SAFEEDGE250NOCAPKIT

8.2K Resistor Part No: SAFEEDGE2508.2KCAPKIT

10K Resistor Part No: SAFEEDGE25010KCAPKIT

Non-Glue!



2 WIRE PLUG AND END CAP KIT

Hardwired or Connected to Transmitter

Part No: SAFEEDGE2502WIRECAPKIT

LOW PROFILE EDGE (PER FOOT)

Part No: SAFEEDGE250PROFILE



ALUMINUM RAIL (5 FOOT)

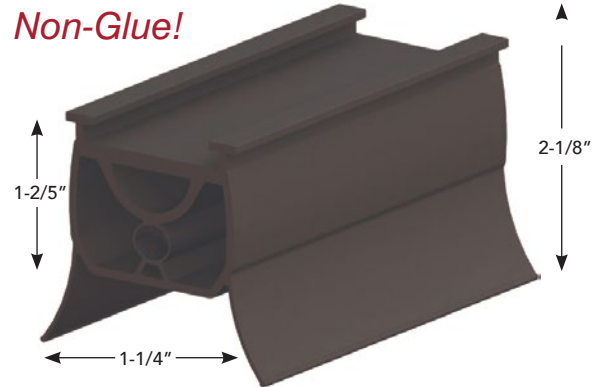
Part No: SAFEEDGEGERAILALU25-14

OVERHEAD DOOR EDGE (N.O. or 8.2KΩ)

The overhead door edge is available with weatherproof stripping and can integrate with most all overhead door applications.

Available in 16 Foot Length Only

Material	TPE
Material Hardness	68 Shore A
Enclosure	IP66
Mechanical Force	112 lbf (500 N)
Switching Cycles	10.000
Electrical Capacity	24 V 100mA
Operating Temp.	14°F to 131°F
Max Temp.	-13°F to 167°F
Max Length	328 ft
Connection Cables	LIY11Y 2x0,34 mm



Part No: SAFEEDGEHS45.30



LOW PROFILE EDGE RESISTOR PLUG AND END CAP KIT

- Blank** Part No: SAFEEDGE45BLANKCAPKIT
- 8.2K Resistor** Part No: SAFEEDGE458.2KCAPKIT



2 WIRE PLUG AND END CAP KIT

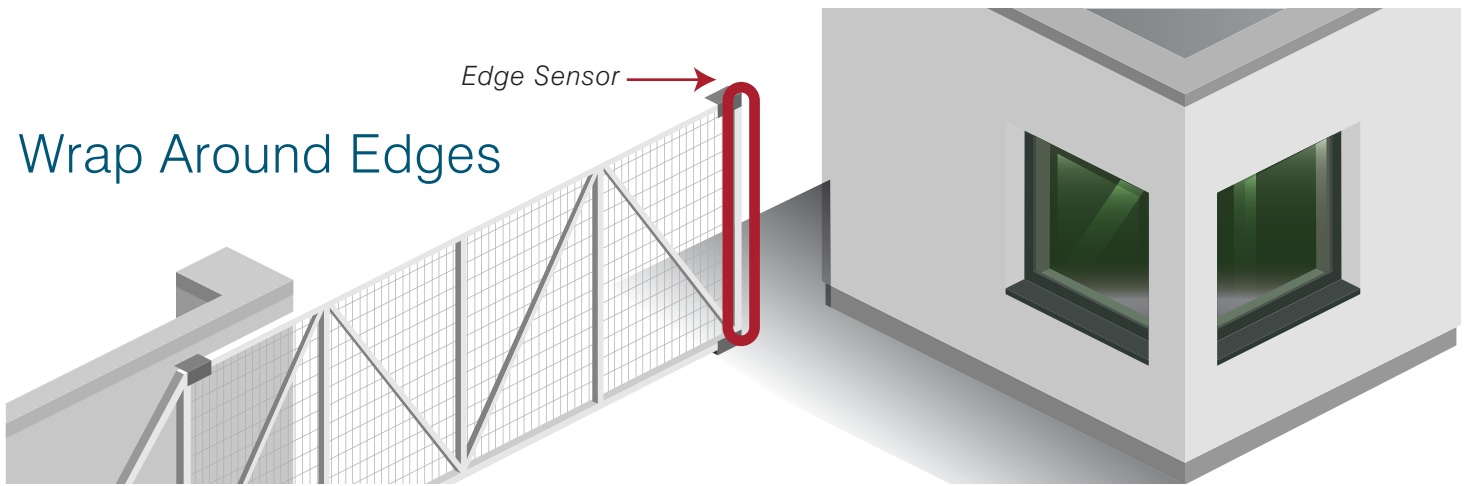
Part No: SAFEEDGE452WIRECAPKIT

Hardwired or Connected to Transmitter

2" RETAINER RAIL (16 FOOT)

Part No: SAFEEDGEEUR20016

Wrap Around Edges

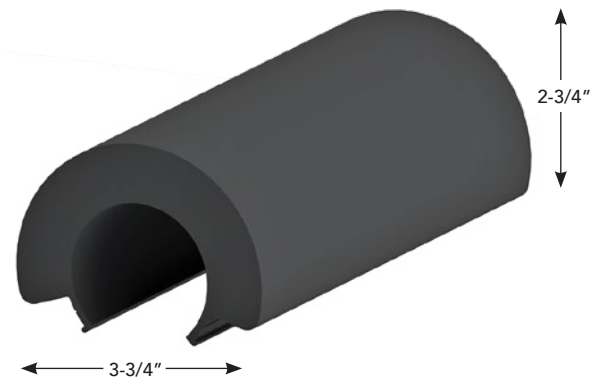


The wrap around edges secure directly on to a round or standard square post and are available as an 8.2K monitored edge.

ROUND PROFILE (8.2KΩ or 10KΩ)

5 Foot Length

Rating	IP65
Operating Temp.	-40°F to 149°F
Dimensions	3.8" (w) x 2.8" (h) For 1.6" - 2.3" Round Posts
Cable Length	39 in.
Electrical Diagram	2-wire. N.O. Configuration
Material	PTE Rubber
Warranty	24 Months



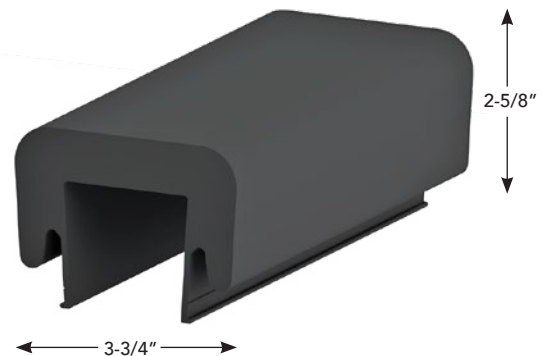
Part No: SAFEEDGERWA8.2K5



SQUARE PROFILE (8.2KΩ or 10KΩ)

5 Foot Length

Rating	IP65
Operating Temp.	-40°F to 149°F
Dimensions	3.8" (w) x 2.8" (h) For 2" Square Posts
Cable Length	39 in.
Electrical Diagram	2-wire. N.O. Configuration
Material	PTE Rubber
Warranty	24 Months



Part No: SAFEEDGESQRWA8.2K5

