

DOLKSF1000

Dual-relay Access Control



INTRODUCTION

DOLSKF1000 is the single entry standalone Access Controller with integrated keypad. It is an easy to install and operate device, designs in as less as 6 wires for mounting, with user-friendly programming. The compact design makes it a good choice for door access.

DOLSKF1000 is housed in a strong Zinc Alloy electroplated case. It supports up to 1000 users.

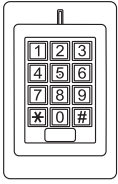
Features

- > Vandal Resistant Enclosure
- > Backlit Keypad
- > Multi-color LED status display
- > One Programmable Relay Output
- > 1000 Users
- > Low power consumption (50mA)
- > Anti-Tamper Alarm
- > Latch Mode to hold door or gate open
- > 12-24V DC Power input

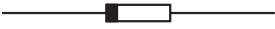
Specifications

User Capacity	1000 PINs
Operating Voltage	12~24V DC
Idle Current	50mA
Active Current	80mA
Keypad	12 Key (3*4)
Wiring Connections	Relay Output, Exit Button
Relay	One (NO, NC, Common)
Adjustable Relay Output Time	1-99 Seconds (5 seconds default)
Lock Output Load	3 Amp Maximum
Environment	Indoor
Operating Temperature	-30°C~60°C
Operating Humidity	20%RH-85%RH
Physical	Zinc-Alloy Enclosure
Surface Finish	Powder Coat
Dimensions	L120 X W76 X H25 (mm)
Unit Weight	490g
Shipping Weight	600g

Carton Inventory



DOLKSF1000 Access Controller



Diode 1N4004 (For relay circuit protection)



Self Tapping Screws



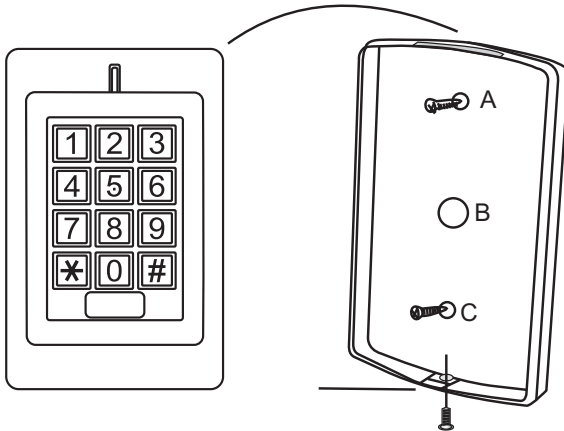
Wall Anchors



Screw Driver

INSTALLATION

- > Remove the back cover from the unit
- > Drill 2 holes(A,C) on the wall for the screws and one hole for the cable
- > Knock the supplied rubber bungs to the screw holes(A,C)
- > Fix the back cover firmly on the wall with 4 flat head screws
- > Thread the cable through the cable hole(B)
- > Attach the unit to the back cover.

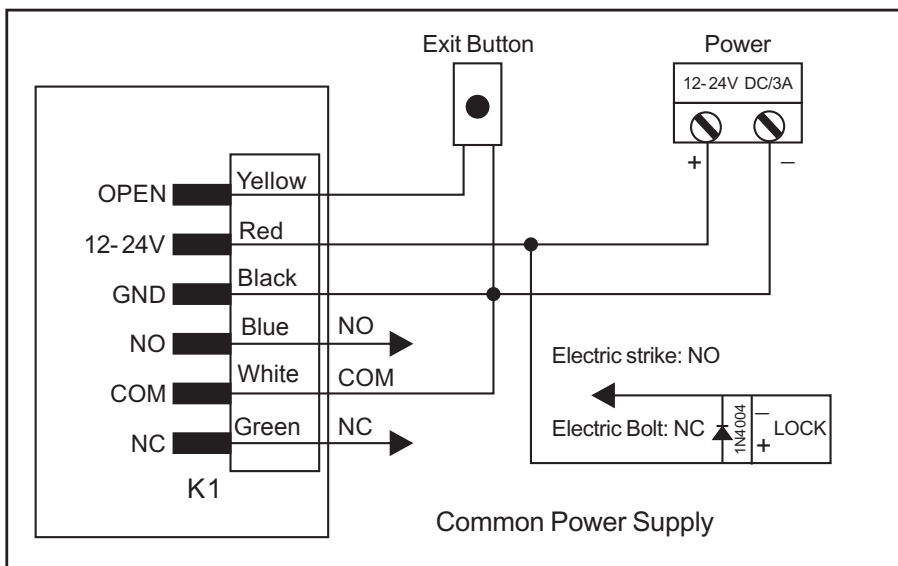


Wiring

Wire Insulation Color	Function	Notes
Yellow	OPEN	Request to Exit input(REX)
Red	Power +	12~24V DC Regulated Power Input
Black	GND	Ground
Blue	NO	Normally Open Relay Output
White	COM	Common Connection for Relay Output
Green	NC	Normally closed Relay Output

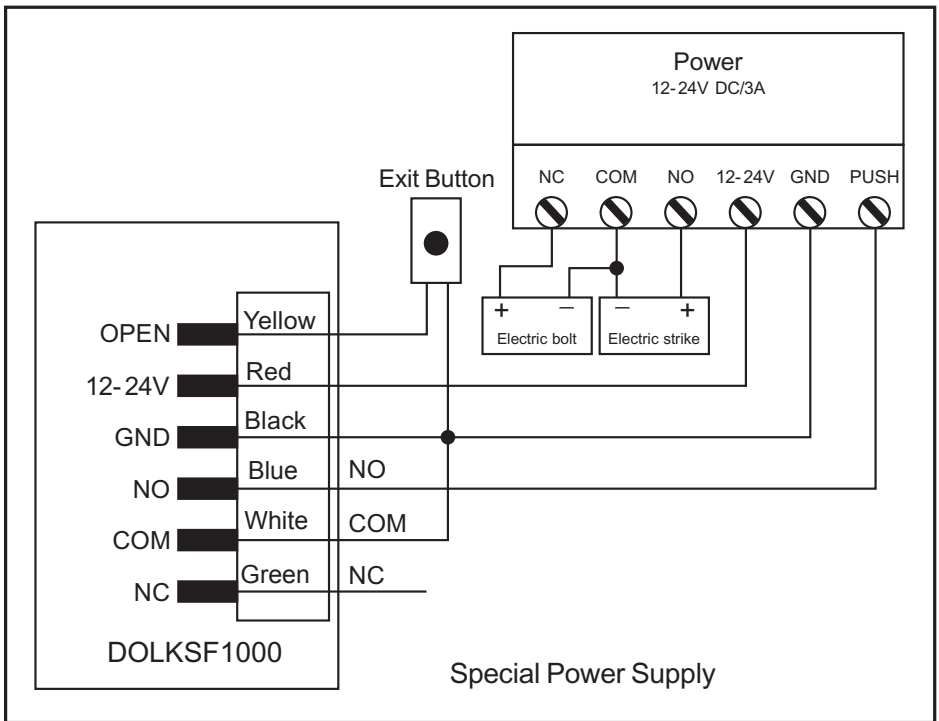
Connection Diagram

Common power supply:



Attention: Install a 1N4004 or equivalent diode is needed when use a common power supply, or the keypad might be damaged. (1N4004 is included in the packing)

Access Control Power Supply:



PROGRAMMING

Programming will vary depending on access configuration. Follow the instructions according to your access configuration.

Programming 1 ————— Configure the DOLKSF1000

Change the configure settings according to your application (optional). Multiple configuration settings can be changed at one time: enter program mode, change desired settings, then exit program mode.

Set Master Code

The 6 digit Master Code is used to prevent unauthorized access to the system. To interface with the DOLKSF1000 the manager will need a Master Code (factory default code: 123456). We highly recommend immediate update and recording of your Master Code.

DOLSKF1000- Simplified Instruction

Function Description	Operation
Enter the Programming Mode	* (Master Code) # (123456 is the default factory master code)
Change the Master Code	0 (New Master Code) # (Repeat New Master Code) # (code: 4-6 digits)
Add PIN User	1 (User ID) # (PIN) # The ID number is any number between 0 ~ 999. The PIN is any 4-6 digits between 0000 ~ 999999
Delete User	2 (Read Card) # 2 (User ID) #
Exit from the programming mode	*
How to be granted access.	
PIN User	Enter (PIN) #

Programming Step	Keystroke Combination
1. Enter Program Mode	* (Master Code) #
2. Update Master Code	0 (New Master Code) # (Repeat New Master Code) #
3. Exit Program Mode	*

Set Access Configuration

> **PIN** : The User must enter their PIN code followed by the # key, in order to be granted access.

Set Relay Configuration

The relay configuration sets the behavior of the output relay on activation.

Programming Step	Keystroke Combination
1. Enter Program Mode	* (Master Code) #
2. Pulse Mode OR 2. Latch Mode	4 (1-99) # The relay time is 1-99 seconds. (1 is 50mS.) Default is 5 seconds. 4 0 # Sets the relay to ON/OFF Latch mode
3. Exit	*

Set Strike-out Alarm

The strike-out alarm will engage after 5 failed PIN attempts. Factory is OFF. The strike-out alarm can be set to deny access for 10 minutes after engaging or it can be set disengage only after entering a valid PIN or Master code.

Programming Step	Keystroke Combination
1. Enter Program Mode	* (Master Code) #
2. Strike-Out OFF OR 2. Strike-Out ON OR 2. Strike-Out ON Set alarm time	6 0 # (factory default) 6 1 # Access will be denied for 10 minutes 6 2 # The buzzer alarms. 5 (0 ~ 30) #, Factory default is 1 minute.
3. Exit	*

Programming 2 ----- Program PINS

Programming will vary depending on the access configuration. Follow the instructions according to your access configuration.

GENERAL PROGRAMMING INFORMATION

- > **User ID Number:** Assign a user ID number to the access code in order to keep track of the users of access cards or PINS. The user ID number can be any number from 0~999. **IMPORTANT:** User IDs do not have to be proceeded with any leading zeros. Recording of User ID is critical. Modifications to user data require either the card or the User ID be available.
- > **Keypad PIN:** The PIN can be any 4~6 digits between 0000~999999 (except 1234 which is reserved for factory testing).

Add or Delete a PIN

Programming Step	Keystroke Combination
1. Enter Program Mode	* (Master Code) #
2. Add a PIN Assigns PIN to user ID number OR 2. Delete a PIN Deletes the User ID number and associated PIN	1 (User ID) # (PIN) # PINS can be added continuously. 2 (User ID) # PINS can be deleted continuously.
3. Exit	*

Change a PIN

This operation is executed from outside of Program Mode.

Programming Step	Keystroke Combination
1. Change a PIN	* (User ID #) (Old PIN #) (New PIN #) (New PIN #)

OTHERS

Reset to Factory Default:

This will reset the DOLKSF1000 to the factory default but PIN information will still be retained.

1. Power the DOLKSF1000 off.
2. Press and hold the * button while power is restored to the DOLKSF1000
3. There's two beeps, and release the button, then one beep.

The DOLKSF1000 has been successfully reset.

Erase all Cards:

This will delete ALL User data.

1. Enter Program Mode by press: *(Master Code) #.
2. Press 20000 #
3. Exit: *

All configuration data is retained.

Reset Strike-Out Alarm

Enter Master Code or Valid PIN to silence

Sound and Light Indication

Operation Status	Red LED	Green LED	Sounds
Power on	Flashing		Short Single Beep
Stand by	Flashing		
Press Keypad	Flashing		Short Single Beep
Enter Master Code Entry Mode	ON		Short Single Beep
In program mode	ON	Single Flash	Short Single Beep
Entered Program Step Successfully	ON	Single Flash	Short Single Beep
Entered Program Step Incorrectly			Short Single Beep
Exit from the programming mode	Flashing		3 Short Beeps
Entry Granted		ON	Short Single Beep
Open lock	Green light bright		One beep
Alarm Mode Engaged	Flashing		Alarm
Alarm	Red light Shines quickly		Beeps
Pressing * Toggles Standby / Master Code Entry	ON/Flashing		Short Single Beep

TRANSMITTER SOLUTIONS WARRANTY

The warranty period of Transmitter Solutions keypad is twenty-four (24) months. This warranty shall begin on the date the keypad is manufactured. During the warranty period, the product will be repaired or replaced (at the sole discretion of Transmitter Solutions) if the product does not operate correctly due to a defective component. This warranty does not extend to (a) the keypad case, which can be damaged by conditions outside the control of Transmitter Solutions, or (b) battery life of the keypad. This warranty is further limited by the following disclaimer of warranty and liability:

EXCEPT AS SET FORTH ABOVE, TRANSMITTER SOLUTIONS MAKES NO WARRANTIES REGARDING THE GOODS, EXPRESS OR IMPLIED, INCLUDING WARRANTY OF MERCHANTABILITY OR WARRANTY OF FITNESS FOR A PARTICULAR PURPOSE. BUYER MAKES NO RELIANCE ON ANY REPRESENTATION OF TRANSMITTER SOLUTIONS, EXPRESS OR IMPLIED, WITH REGARD TO THE GOODS AND ACCEPTS THEM "AS-IS/WHERE-IS". TRANSMITTER SOLUTIONS SELLS THE GOODS TO BUYER ON CONDITION THAT TRANSMITTER SOLUTIONS WILL HAVE NO LIABILITY OF ANY KIND AS A RESULT OF THE SALE. BUYER AGREES THAT TRANSMITTER SOLUTIONS SHALL HAVE NO LIABILITY FOR DAMAGES OF ANY KIND, WHETHER DIRECT, INCIDENTAL OR CONSEQUENTIAL DAMAGES, INCLUDING INJURIES TO PERSONS OR PROPERTY, TO BUYER, ITS EMPLOYEES OR AGENTS, AS A RESULT OF THE SALE. BUYER ALSO AGREES TO HOLD TRANSMITTER SOLUTIONS HARMLESS FROM ANY CLAIMS BUYER, OR ANY THIRD PARTY, MAY HAVE AS A RESULT OF BUYER'S USE OR DISPOSAL OF THE GOODS. BUYER HAS READ THIS DISCLAIMER AND AGREES WITH ITS TERMS IN CONSIDERATION OF RECEIVING THE GOODS.



2480 South 3850 West, Suite B
Salt Lake City, UT 84120
(866) 975-0101 • (866) 975-0404 fax
www.transmittersolutions.com