

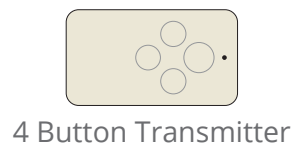
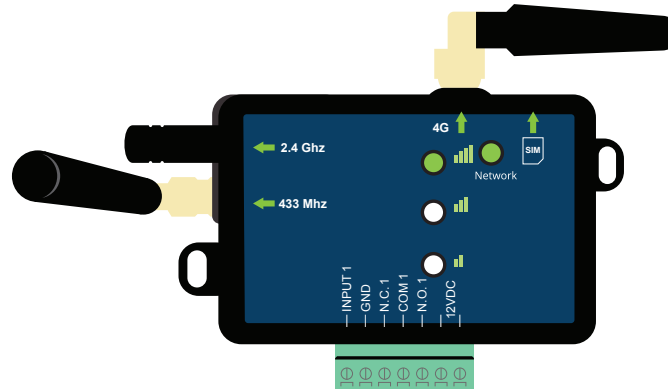
PAL Spider 101I Wireless Controller

Quick Start Guide

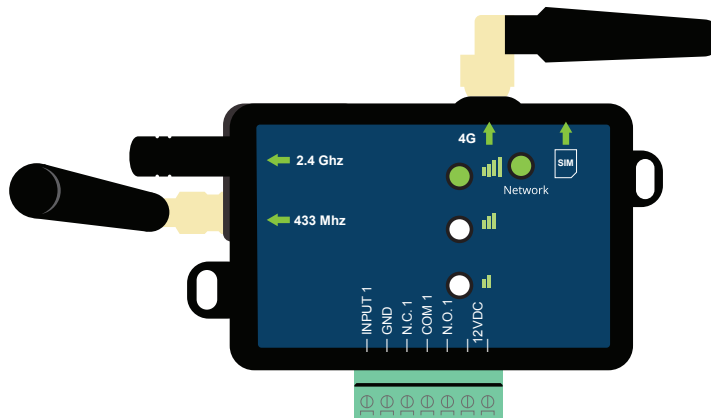
Download the user manual here:

<https://transmittersolutions.com/wp-content/uploads/2023/10/Spider-User-Manual-Ver-1.3-FINAL-8-28-2023.pdf>

1. Package Contents



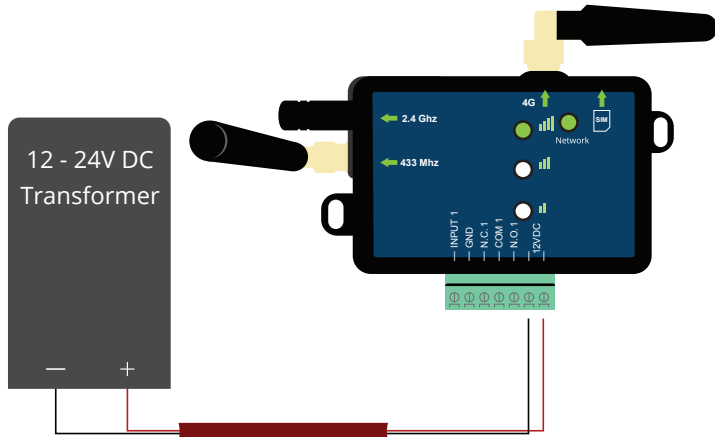
2. Mounting Controller



Mounting - When mounting the PAL be sure the RFID antenna is pointing as close to vertical as possible. For the best signal strength. The 4G antenna needs to be pointing to the right

Note: When mounting the PAL unit inside a gate operator, use external antenna (PALANT3G)

3. Power Connection



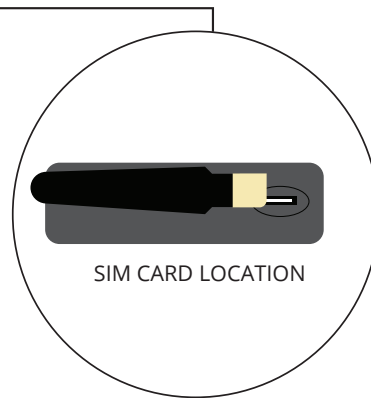
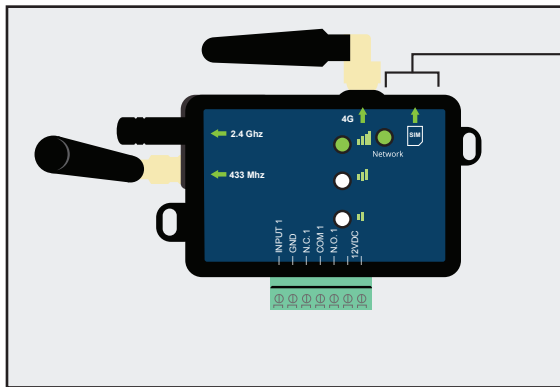
A Power - PAL requires a 12-24V DC transformer. PAL reaches 30mA at maximum power consumption.

NOTE: the + and - power inputs can be wired to either power input on the PAL board, they are interchangeable

LEDs key

| Action | Meaning |
|--------------------------------|------------------------------------|
| Fast flashing of the SIM light | System is booting |
| Slow flashing of the SIM light | Searching for a cellular network |
| 2 blinks and break | connecting to the Internet process |
| 4 Short flash of the SIM | Connecting to the PAL interface |
| Sim LED is stable | System ready |
| Signal light No. 1 is on | Low signal |
| Signal light No. 2 is on | Good signal |
| Signal light No. 3 is on | Very good signal |

4. Network Connection/Account Setup



Network Connection - The PAL SIM card must be activated before installation of the PAL Spider. In order for PAL Unit to work properly, There must be a reliable AT&T Network signal at the location of the PAL installation.

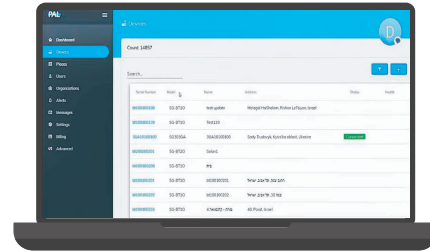
Signal Level - Once powered on, the PAL will go through an automatic network boot up. After 60-seconds if working properly the PAL device will have a solid LED light on the Network and one of the signal LED's.

A company account on portal.pal-es.com is required to register the PAL device. If you do not currently have a company account call us at 866-975-0101. Use your login credentials to login to the PAL home page.

5. PAL Registration

- A** Request web portal login information.
- B** Login to your account at portal.pal-es.com select devices on the left hand side and click add on the top right hand corner.
- C** Enter the serial number and code found on the back of the PAL unit. Click Save.
- D** You can now select the device for configuration and management.
- E** For more detailed management and configuration instructions please refer to the PAL full web portal user manual.

THE PAL CONTROLLER MUST BE ADDED THROUGH THE PAL ONLINE WEB PORTAL BEFORE USING THE PHONE APP



transmittersolutions.com/wp-content/uploads/2019/04/PAL-web-usermanualENG-v1.pdf

WEB PORTAL USER MANUAL

6. Maglock Connection

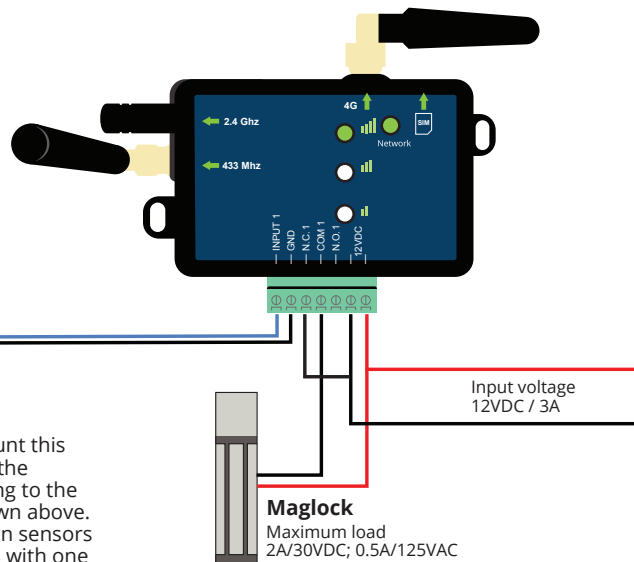
A Optional Magnetic Sensor



Installation allows you to receive a gate status notification

A

Door or Gate Position switch - Mount this on the door frame or on the gate in the desired location with the wire running to the input on the PAL controller, like shown above. When using two door or gate position sensors for double doors wire them in series with one leg of each switch running back to the controller for connection.



Input voltage
12VDC / 3A

Maglock
Maximum load
2A/30VDC; 0.5A/125VAC

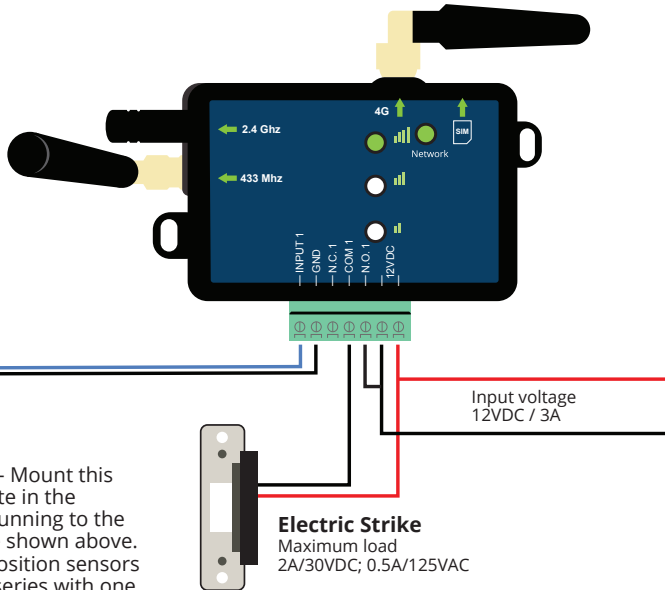
7. Electric Strike Connection

(A) Optional Magnetic Sensor

Installation allows you to receive a gate status notification

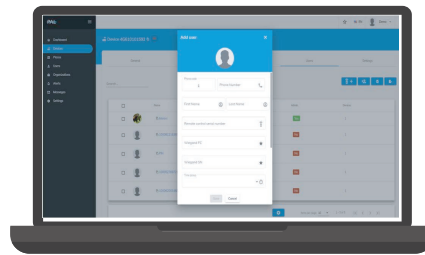
(A)

Door or Gate Position switch - Mount this on the door frame or on the gate in the desired location with the wire running to the input on the PAL controller, like shown above. When using two door or gate position sensors for double doors wire them in series with one leg of each switch running back to the controller for connection.



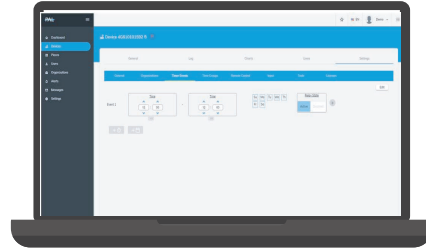
8. Adding Users

- (A) From the Home screen go to devices. Select the device you wish to add users to. Once in the device main menu select users. (for sites with multiple PAL units installed please call technical support 866-975-0101 or refer to complete manual)
- (B) Once in users click "add" in the top right hand corner. (You can also import complete databases, please call technical support or see full instruction manual for detailed instructions on this)
- (C) Once you have clicked "add" you will enter the main user screen. Fill out the necessary information and click save. Note: If you enter a phone number the user can download the "Palgate" phone application and will be able to trigger the gate or door from their phone. Leaving the phone number section blank will not allow the user to have app control of the PAL unit.

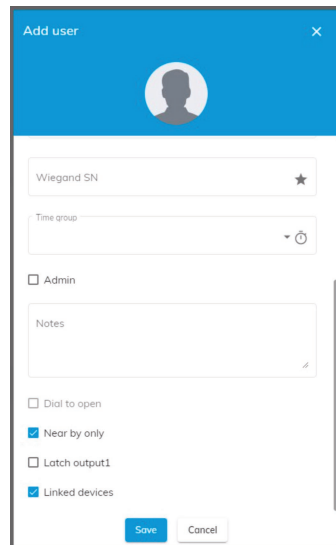


9. PAL Settings

- A** General – Allows you to configure the relay output hold time.
- B** Timer Events – Allows for setting a 7-day automatic unlock/open, lock/close schedule.
- C** Time Groups – Allows for creating groups to restrict Wiegand and phone application access to the PAL controller.



10. User Credentials - Bluetooth vs cellular



In this image you will see that the "Nearby Only" box is checked. This enables a Bluetooth Credential, so that the user has to be in close proximity to the gate in order to open it.

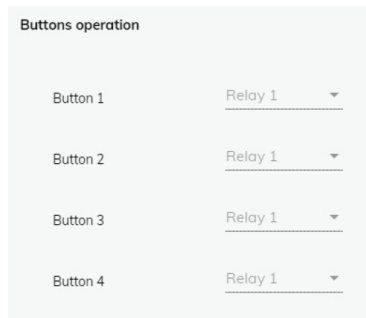
Leaving this box unchecked allows a user to open the gate from anywhere via a cellular signal.

11. PAL 4-Button Transmitter Programming

Each PAL Spider Controller includes a PAL 4-button Transmitter. This transmitter can be programmed by:

1. Choose the Spider unit from the "Devices" section
2. Click on "Settings"
3. Click on the "Remote Control"

You will then see the menu below:



Buttons are designated 1-4 starting at the top and going clockwise around the remote.

You can program all 4 buttons to the relay of a single PAL Spider; or if you have multiple Spider units, each button can be programmed to a different Spider Unit.