

PAL

VPS - VIDEO PANEL SYSTEM



USER MANUAL



2480 South 3850 West, Suite B
Salt Lake City, UT 84120
(866) 975-0101 • (866) 975-0404 fax
sales@transmittersolutions.com

PAL VPS - VIDEO PANEL SYSTEM

CONTENTS

1. Product Overview.....	3
1.1. Introduction to Product.....	3
1.2. Specification	3
1.3. Features	4
1.4. Dimension	5
1.5. Interface Introduction	5
2. Installation instructions	6
2.1. Wall-mounted installation	6
2.2. Flush-mounted	7
2.3. Installation Height	8
3. Setup a new device	8
3.1. New device setup via the PalGate application.....	8
3.2. New device Setup via the PAL Portal.....	10
4. VPS Main Screen	12

PAL VPS - VIDEO PANEL SYSTEM

1. Product Overview

1.1. Introduction to Product

Thank you for selecting the PAL VPS-Video Panel System. This product is a wireless video intercom system with a touch panel screen. Installation is quick and simple without the need for infrastructure. The VPS enables video calling and settings are easily managed via the PalGate App and the PAL WEB portal.

1.2. Specifications



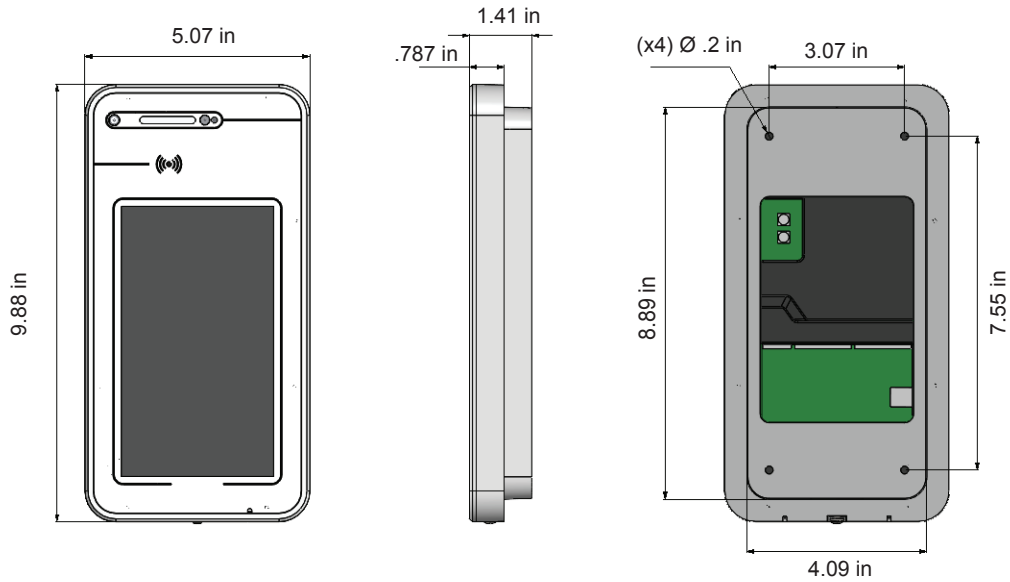
PAL VPS - VIDEO PANEL SYSTEM

1.3. Features

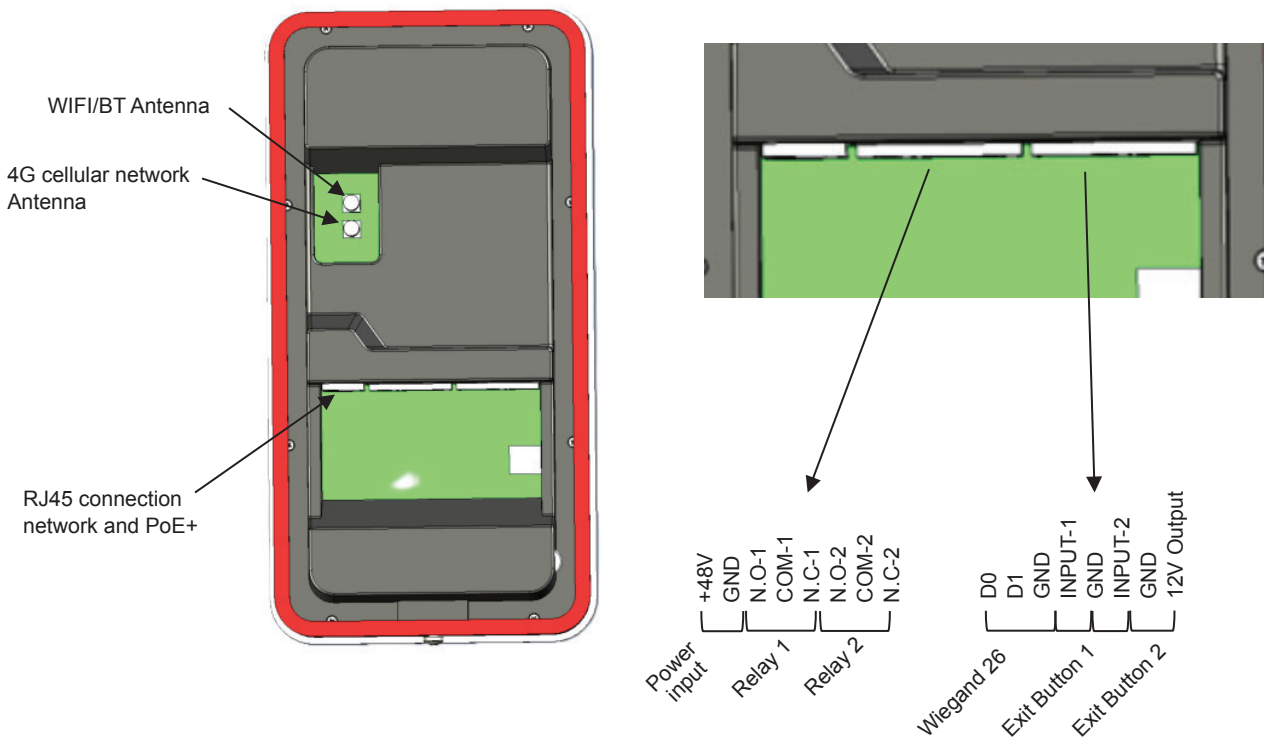
Display Size	7-inch
Display Resolution	720x1280
Touch Screen	√
Anti vandal design	√
Anti vandal glass	√
Camera	8M pixels - View Angle 120°
Cellular network supported	4G / 3G / 2G
Wi-Fi 802.11a/b/g/n	2400MHz~2482MHz 5180MHz~5825MHz
Bluetooth	BT4.2 LE
NFC	13.56 MHz
Ethernet	RJ45, 10/100Mbps
Relay	2 * Relays (N.O/N.C)
Input	2 * Input
Supports App	Android / iOS
PoE	Fully-Integrated IEEE 802.3-Compliant POE+ PD Interface
Card reader compatibilities	NFCIP-1 NFCIP-2 ISO/IEC 14443 ISO/IEC 15693 MIFARE
Audio Interfaces	Speaker: Hidden powerful 15W/4Ω Microphone: -42dB ±3dB @ 94dB SPL
Installation	Wall-mounted Flush-mounthed
Power Supply	DC 48V or/and PoE+
Power Output	DC 12V 2.5A
Working Temperature	-4 to 149° F
Touch Panel Interface	√
Ambient Light Sensor	√
Wiegand 26bit reader	√
SD Card Interface	√
Physical Characteristics Size	Size: 9.9 x 5.1 in.
Languages	English,Hebrew,Russian,Spanish,Dutch

PAL VPS - VIDEO PANEL SYSTEM

1.4. Dimension



1.5. Interface Introduction



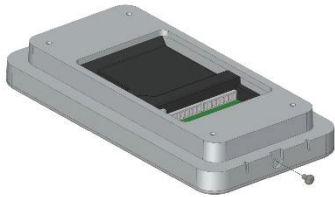
*Power Input - PoE+ or/and power supply 48V DC

PAL VPS - VIDEO PANEL SYSTEM

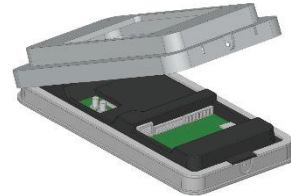
2. Installation instructions

2.1. Wall-mounted installation

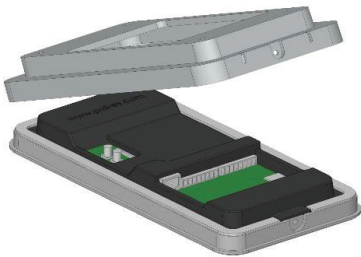
Step 1 - Remove the bottom screw as shown below.



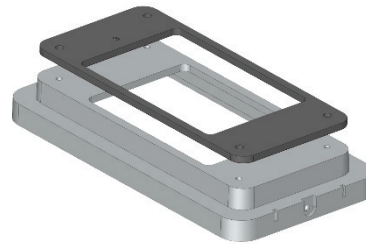
Step 2 - Lift the back cover from the video panel.



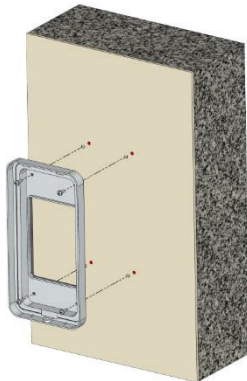
Step 3 - Separate the back cover from the VPS panel.



Step 4 - Apply the waterproof gasket to the rear of the back cover.



Step 5 - Drill holes in the wall using the holes in the back cover as a guide.



Step 6 - Screw the back cover securely to the wall.



Step 7 - Put the VPS front panel back inside the back cover.

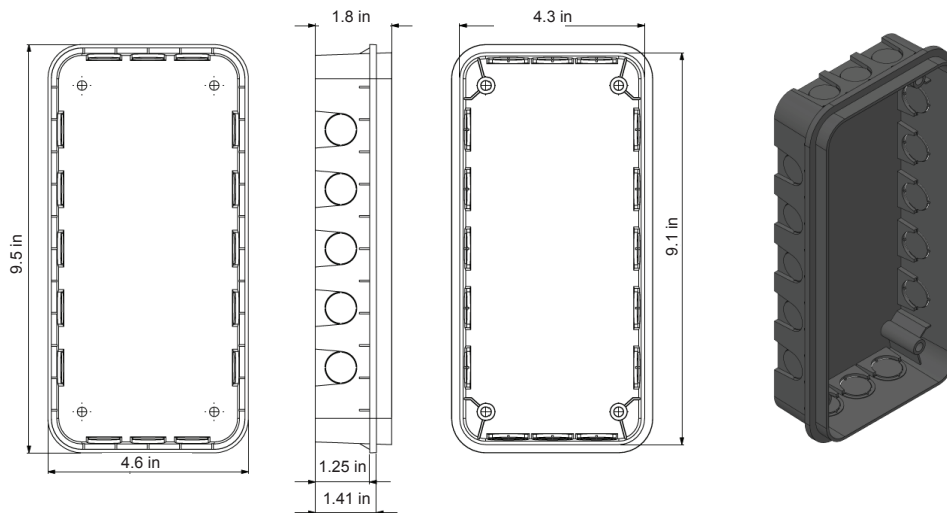


Step 8 - Secure the VPS front panel to the case by reinserting the bottom screw.

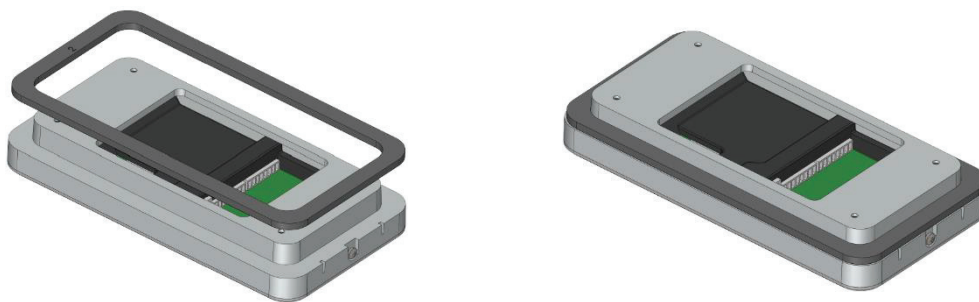


PAL VPS - VIDEO PANEL SYSTEM

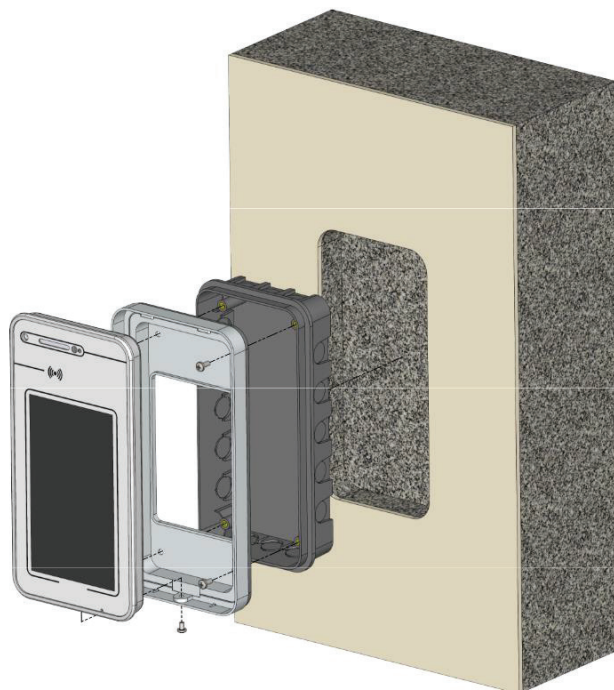
2.2. Flush-mounted.



Step 1 - Stick the gasket to the rear of the unit, (to prevent water from entering).



Step 2



PAL VPS - VIDEO PANEL SYSTEM

2.3. Installation Height



The recommended installation height for the camera is 5 feet above the ground.

3. Setup a new device

The PAL Video Panel System can be set up by going through the PalGate application or by using the WEB portal.

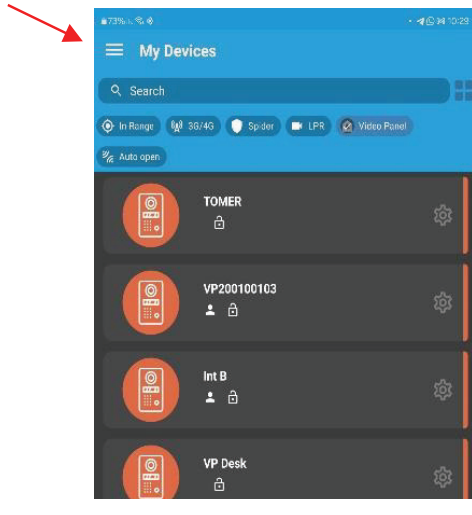
3.1. New device setup via the PalGate application

You may download our App from either the Apple App Store or from Google Play by searching for the name “PalGate”. If you prefer, you can access a direct link by scanning the QR codes below

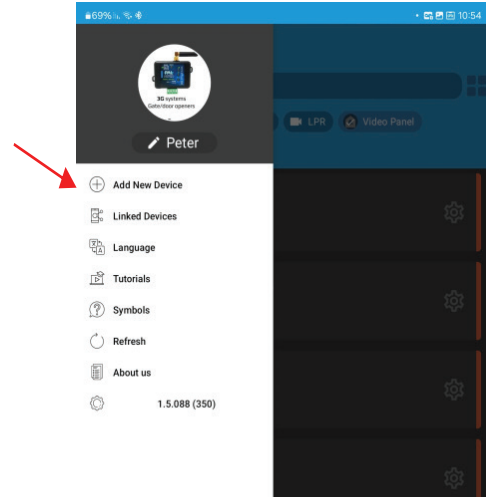


PAL VPS - VIDEO PANEL SYSTEM

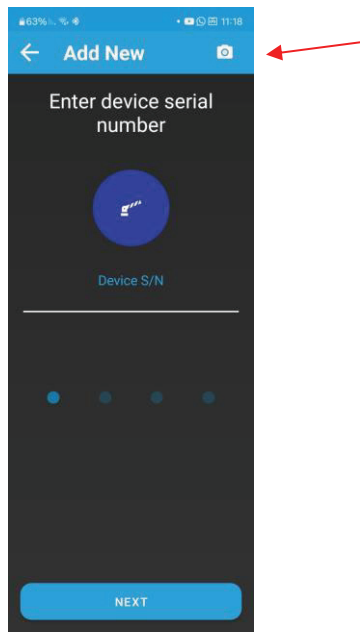
Step 1 - Launch the app and tap on the three horizontal lines located at the top-left corner of the screen.



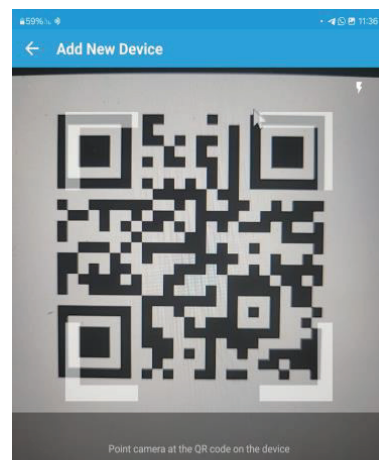
Step 2 - Press on 'Add New Device'.



Step 3 - Press on the camera icon located at the top-right corner of the screen.



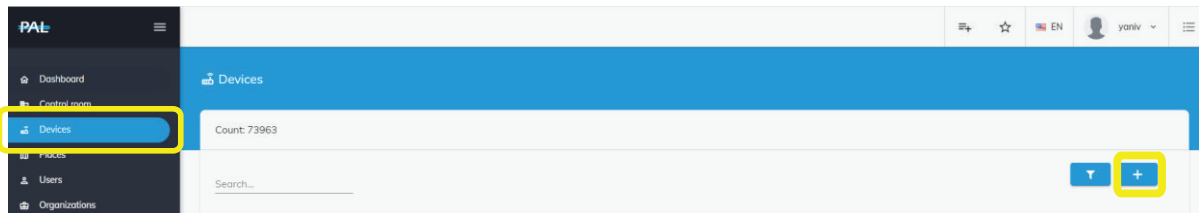
Step 4 - Scan the QR code displayed on the VPS screen.



Step 5 - Proceed with the setup process and follow the instructions provided within the application. Upon completion of this process, the system setup will be successfully finalized.

3.2. New device Setup via the PAL Portal

Step 1 - Sign into the PAL Portal and you will see the homepage. Click on "Devices" and on the + button to add a new device.

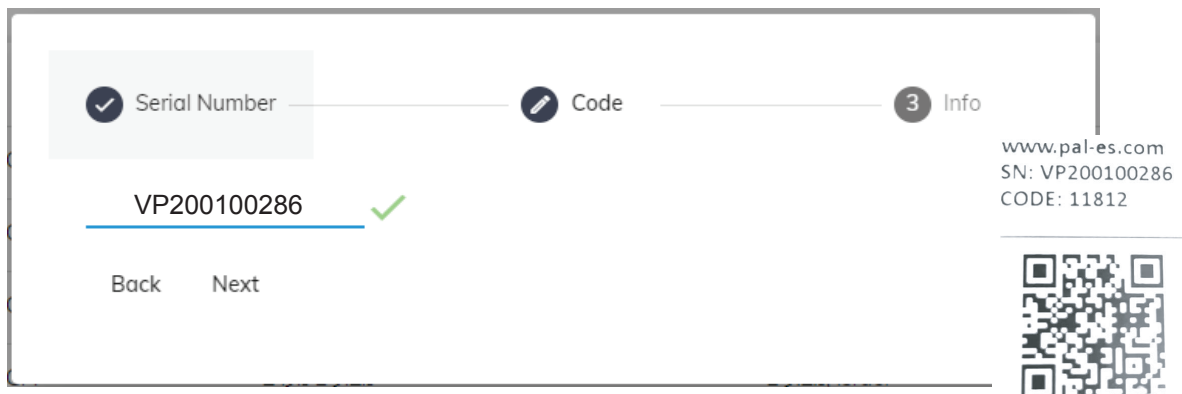


Step 2 - This will open the window shown below.

You will be asked to enter the Serial number of the device. The serial number begins with **VP** followed by 9 digits. The serial number can be found on a sticker on the PAL VPS packaging or on the back of the VPS device itself. After entering the serial number click "Next".



Step 3 - After you enter the Serial # you will be asked to enter a code. The code is a 5-digit number shown on the sticker on the PAL packaging or on the back of the device. After entering the code, click "Next"

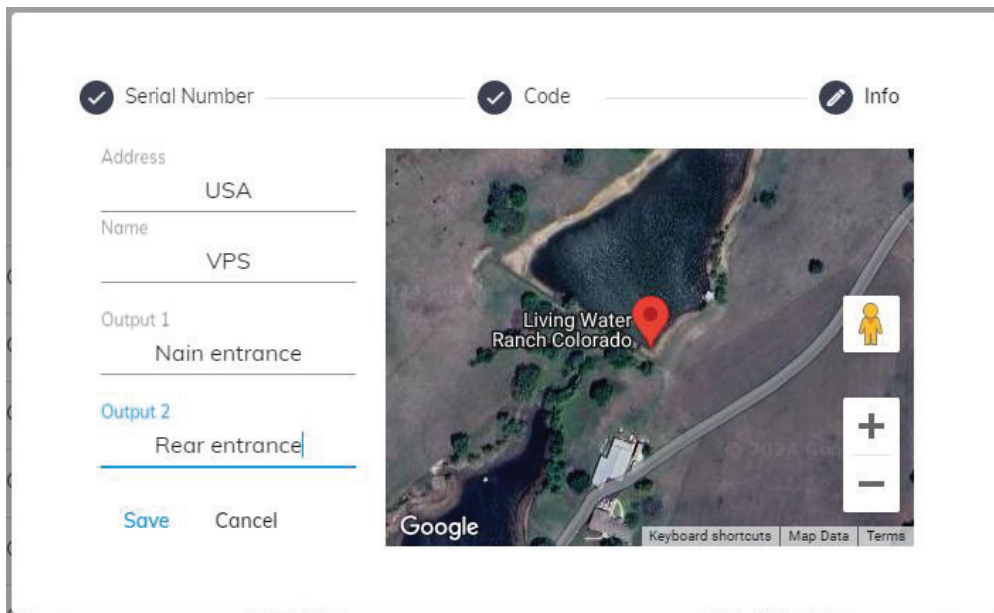


PAL VPS - VIDEO PANEL SYSTEM

Step 4 - Next you will enter the address of the new device. This can be as simple as a city and state or can be an exact street address.

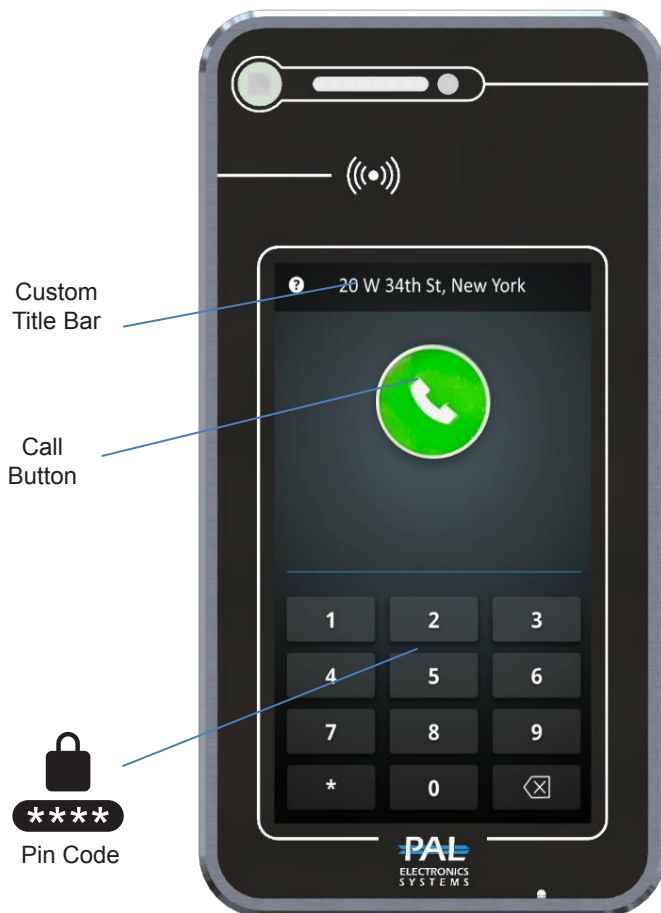
The account administrator will select the name of the device and Output 1 is the name identifying the device the VPS unit will be controlling.

PLEASE CLICK THE SAVE BUTTON ONCE THIS INFORMATION HAS BEEN ENTERED



The screenshot displays a configuration window for a VPS unit. At the top, there are three tabs: 'Serial Number' (checked), 'Code' (checked), and 'Info'. Below the tabs are several input fields: 'Address' with 'USA' entered, 'Name' with 'VPS' entered, 'Output 1' with 'Nain entrance' entered, and 'Output 2' with 'Rear entrance' entered. At the bottom left are 'Save' and 'Cancel' buttons. On the right side, there is a satellite map from Google showing a location marked with a red pin and labeled 'Living Water Ranch Colorado'. The map includes a person icon, zoom in (+) and zoom out (-) buttons, and a 'Google' logo. At the bottom of the map area are links for 'Keyboard shortcuts', 'Map Data', and 'Terms'.

4. VPS Main Screen



Main Screen

On the main screen, you can find:

CALL BUTTON:

There are two ways to call:

- Enter the apartment number and press the green phone icon, it will place a call to all residents of that apartment.
- Click on the green phone icon and a new screen will open with an address book of apartments to search and call an apartment.

PIN CODE:

The Pin code menu allows an authorized user to enter an access code/password using the keypad to open door.

CUSTOM TITLE BAR:

You have the option to input a title to be prominently displayed at the top of the screen. This can be an address, a building name, or any other desired identifier.

Screen Saver: The screen saver allows addition of a company name, address, etc. which will be displayed when the the screen saver is active. The screen saver activates when the VPS does not detect user activity for a specified period of time. This feature prevents unnecessary use of the screen and saves energy.

Important Information:

1. Use of the waterproof gasket is mandatory during the installation process to avoid water damage to the VPS unit. The device must be installed on solid, flat surface.
2. The system works via a cellular network using 4G technology. In addition, the system's performance is dependent on the existence of coverage by the cellular network. Pal Electronics Systems Ltd. is not responsible for a non-functioning cellular network. The customer is responsible for ensuring that there is adequate 4G cellular network reception prior to installation.
3. Please ensure the VPS is kept clear of magnetic fields, high temperatures, and moisture-prone environments.
4. Installation must be done by professionals.
5. Please do not disassemble the VPS without professional instruction.
6. The Manual is for reference only. If there is inconsistency between the Manual and the actual product, the actual product shall prevail.
7. As the device user or data controller, you may collect personal data of others such as face, license plate number, email address, phone number, etc. You are responsible for ensuring that whatever data you collect is in compliance with local, state and federal privacy protection laws.