



FEATURES

- Non-Scratch Surface
- Desfire, HID & EM
- Touch Sensor Keypad
- Metal Back Plate
- Non-Drop Bottom Screw
- Indoor & Outdoor use
- Tamper Protection
- Single Gang Reader

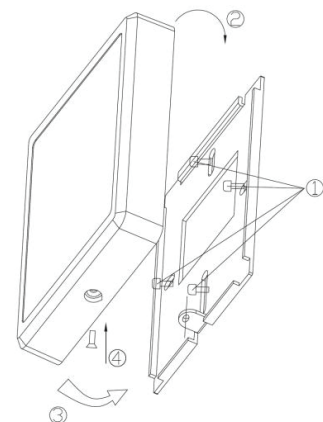


SPECIFICATIONS

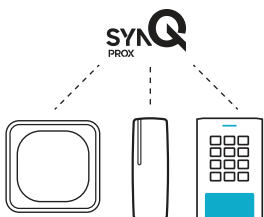
Output:	Option of 26-Bit Wiegand or OSDP
Keypad bit burst	4, 8 or 10 bit bursts
IP Rating:	IP65 Certified
Wiring Distance:	492FT (22 AWG with shielded cable)
Temperature Rating:	-22° F to 158° F
Proximity Card Reader:	ISO14443A-Desfire
Read Range:	2–5 cm
Operating Voltage:	10V–15VDC
Dimensions:	4-1/2 (L) x 3-1/4" (W) x 3/4"(D) inches
Weight:	5-3/4 oz
Operating Current:	160mA (max)

Mounting:

1. Install the metal plate on the wall with two or four screws, depending on what kinds of gang box is being used for the installation.
2. The cover clips on the upper edge of the plate and the bottom is pushed in to line up the non-dropout screw with the metal tab as shown in the diagram below.
3. Tighten the secure non-dropout screw located under the reader to secure the reader to the back plate to complete the installation.



CAUTION: If installing outdoors, you **MUST REMOVE** the protective film on the reader screen.



MOBILE CREDENTIALS AVAILABLE USING SYNQ

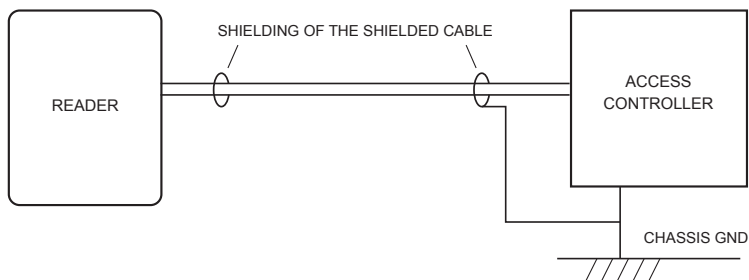
Ask your sales rep about SynQ today!



240 South 3850 West, Suite B
Salt Lake City, UT 84120
866-975-0101 | 866-975-0044 Fax
www.transmittersolutions.com

Requirement:

1. Linear DC Power Supply
2. 22AWG shielded cable; it's required to use single-point ground as shown in diagram.



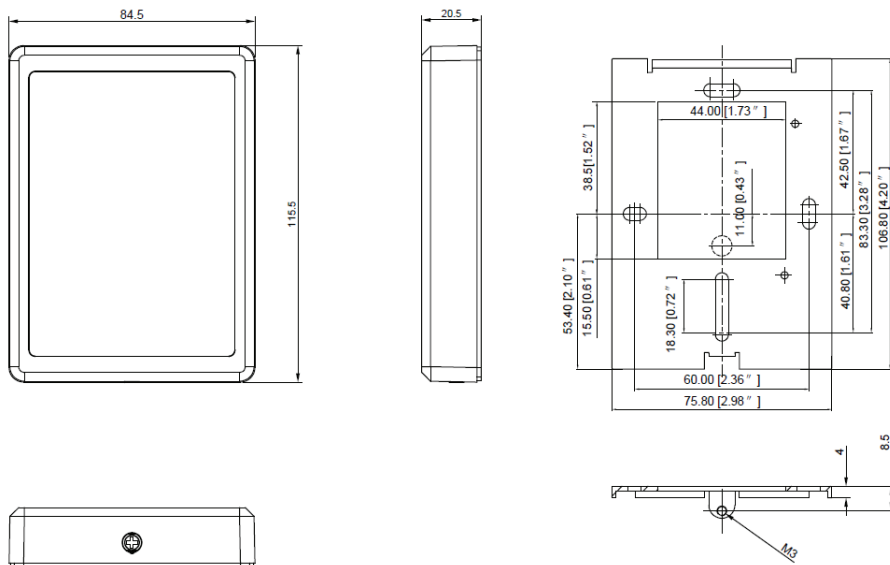
Wiring Guide:

Color	Label	Description
Red	+12V dc	Power Supply to the reader
Black	GND	Signal GND
Green	Data0	Wiegand Output data, D0
White	Data1	Wiegand Output data, D1
Yellow	RED LED	RED LED control, active low
Blue	Green LED	Green LED control, active low
Brown	Buzzer	Buzzer input, active low
Orange	Tamper	Tamper output (open collector, Active low, max 100mA)
Purple	Doorbell	Door bell output (open collector, +5Vdc output ≤ 5mA)
Grey	RS485A	RS485A
Yellow & Green	RS485B	RS485B

Power Up Sequences:

1. When reader is powered up, the Red back will flicker for 5 seconds. The reader will beep once and the reader is in Ready mode.
2. Present the card. The Blue LED will flicker once; buzzer will beep once.
3. When card is present and read by the reader, blue back lit will flash once; and buzzer will beep once as well. The card data will then transmit to the controller. After, whether the back lit of the reader will remain ON or Flash or change to Green or Red color, this shall depend on the Green and Red LED inputs.
4. For number pad reader, when a number is pressed and successfully detected, the back lit under the number will flash 1 time and the buzzer will beep once. The number being pressed will burst out by default (26 bits burst).

Physical Dimension:



Trouble Shooting:

Trouble List	Solution
No Response when Power Up	<ul style="list-style-type: none"> • Disconnect the power and confirm that the power supply cable is correctly connected (See "Wiring" above). • Check the input voltage is sufficient (See "Specifications" above).
Auto Restart	<ul style="list-style-type: none"> • Check the input voltage is sufficient (See "Specifications" above).
Cannot read card number correctly	<ul style="list-style-type: none"> • Check the format setting on the controller if it is the same as the card format. Use approved card (known format and Facility Code) to test. • Check if the shield cable is correctly connected to Chassis Ground at ONE point only.
Reader beeps but No card data info	<ul style="list-style-type: none"> • Check if data 0 & data 1 cable is correctly connected (See "Wiring" above). • Check the input voltage at the card reader end is correct (See "Specifications" above).
Buzzer error	<ul style="list-style-type: none"> • Check if the buzzer cable is correctly connected (See "Wiring" above).
Back Lit Error	<ul style="list-style-type: none"> • Check the LED cable is correctly connected (See "Wiring" above). • Use Default Configuration Card to set it back to normal.
Keypad No Response	<ul style="list-style-type: none"> • Power off reader for 5 seconds and power on again